

360^t

LIEBHERR ALL-TERRAIN-CRANE

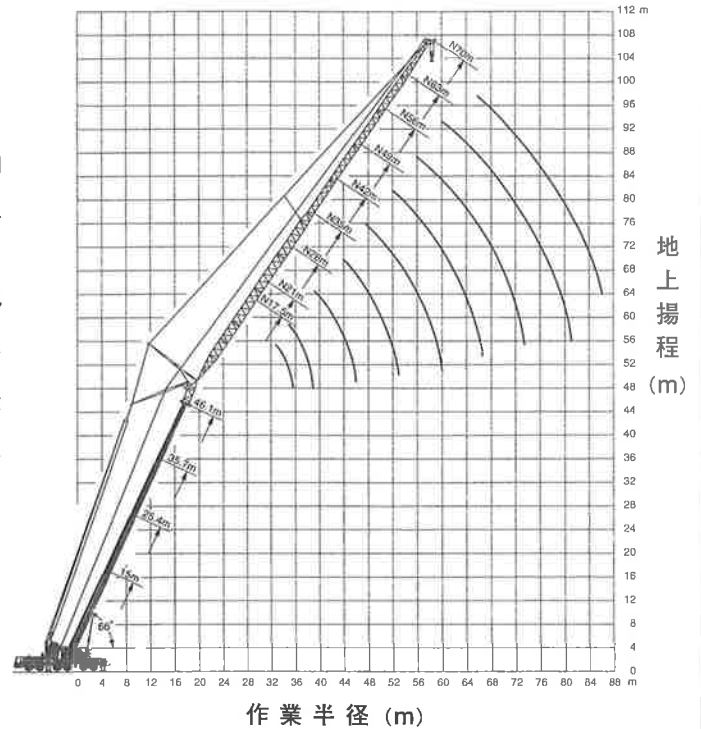
LTM 1360N オールテレーンクレーンNo.2

■起伏式ジブ揚程

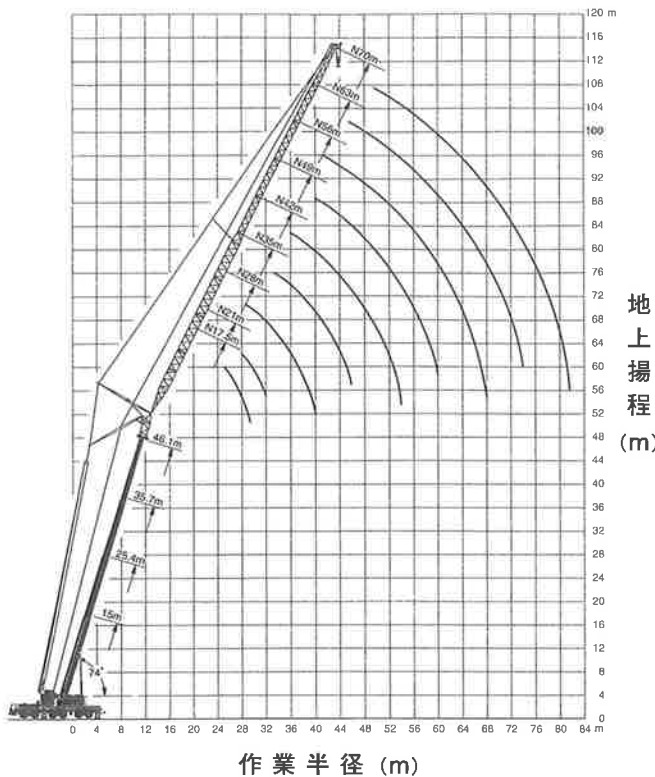
注意

- 1 定格総荷重はフックブロック、玉掛ワイヤー等の自重を含みます。
また、下記の条件が考慮されていませんのでクレーンの操作には充分気をつけてください。
①地盤の強度、地震による影響
②作業速度に応じた動荷重および台風または強風による影響等
- 2 本機は水平に設置して、クレーン作業を行ってください。
- 3 作業半径は、クレーンの旋回中心から荷重の重心までの水平距離です。
- 4 メインブームの定格総荷重は補助ジブを取り除いた状態での値です。

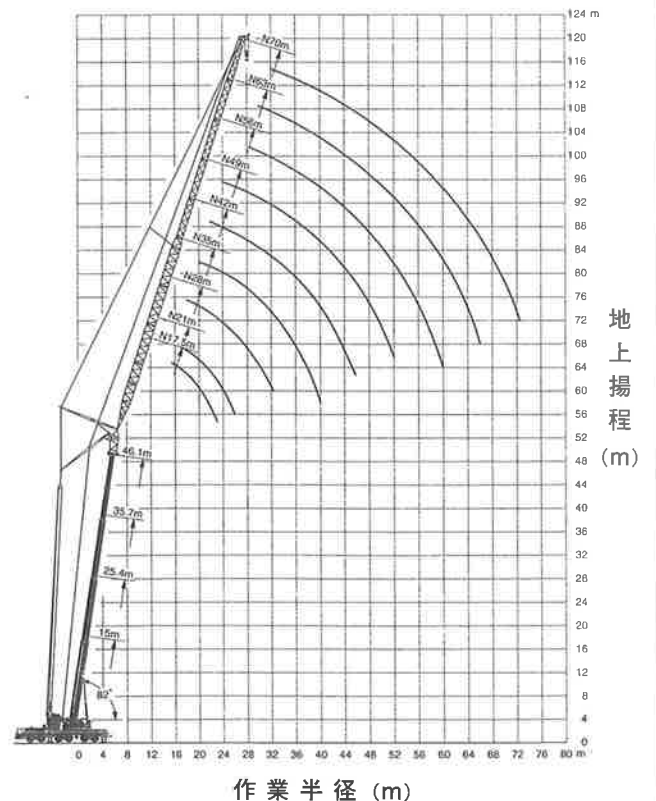
メインブーム66°



メインブーム74°



メインブーム82°



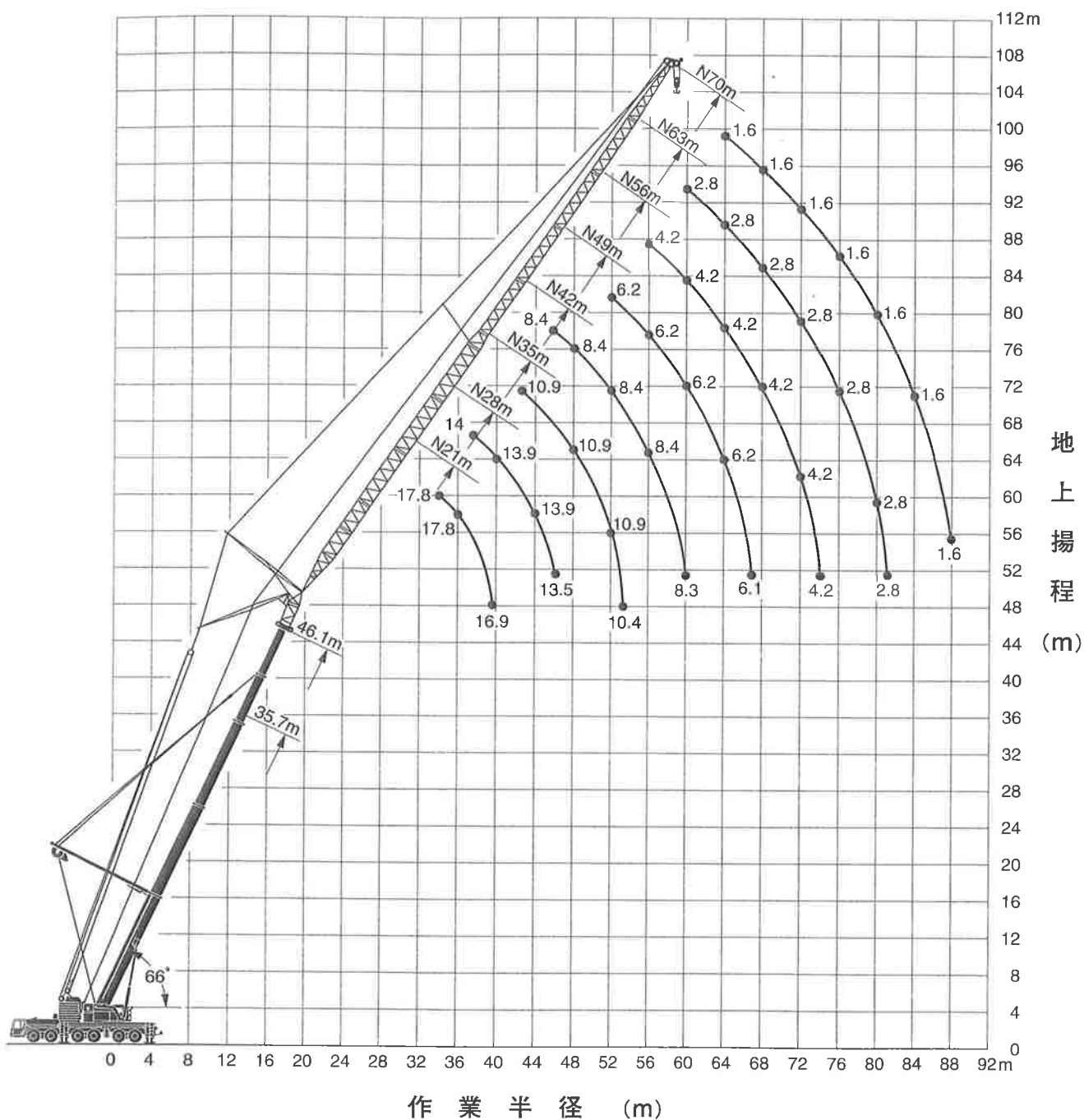
野田クレーン

TEL (0584) 91-9000
<http://www.noda-crane.co.jp>

■起伏式ジブ揚程（ガイ仕様）オプション設定

メインブーム66° 46.1m+4m、ジブ70m、全方向360°、カウンターウエイト112.5t、アウトリガー全張出8.5m

メインブーム66°



注意

- 1 定格総荷重はフックブロック、玉掛ワイヤー等の自重を含みます。また、下記の条件が考慮されていないのでクレーンの操作には充分気をつけてください。
 - ①地盤の強度、地震による影響
 - ②作業速度に応じた動荷重および台風または強風による影響等
- 2 本機は水平に設置して、クレーン作業を行ってください。
- 3 作業半径は、クレーンの旋回中心から荷重の重心までの水平距離です。
- 4 メインブームの定格総荷重は補助ジブを取り除いた状態での値です。

■起伏式ジブ定格総荷重表（ガイ仕様）オプション設定

メインブーム66° 35.7m-56.4m、ジブ21m-70m、全方向360°、カウンターウエイト112.5t、アウトリガー全張出8.5m

| メインブーム長さ ジブ長さ 作業半径 (m) | 35.7m+4m* | | | | | | | | 46.1m+4m* | | |
|------------------------------|-----------|------|------|------|------|-----|-----|-----|-----------|------|------|
| | 21m | 28m | 35m | 42m | 49m | 56m | 63m | 70m | 21m | 28m | 35m |
| 30 | 26.4 | | | | | | | | | | |
| 32 | 24.5 | | | | | | | | | | |
| 34 | 22.9 | 22.1 | | | | | | | 17.8 | | |
| 36 | 21.5 | 20.7 | | | | | | | 17.8 | | |
| 38 | | 19.4 | 18.9 | | | | | | 17.8 | 14 | |
| 40 | | 18.2 | 17.7 | | | | | | 16.9 | 13.9 | |
| 42 | | 17.2 | 16.7 | 15.6 | | | | | | 13.9 | 10.9 |
| 44 | | | 15.7 | 15.1 | | | | | | 13.9 | 10.9 |
| 46 | | | 14.9 | 14.2 | 11.7 | | | | | 13.5 | 10.9 |
| 48 | | | 14.1 | 13.5 | 11.7 | | | | | | 10.9 |
| 50 | | | 13.4 | 12.8 | 11.7 | 9 | | | | | 10.9 |
| 52 | | | | 12.1 | 11.5 | 9 | | | | | 10.9 |
| 54 | | | | 11.5 | 10.9 | 9 | 6.6 | | | | 10.4 |
| 56 | | | | 10.9 | 10.3 | 9 | 6.6 | | | | |
| 58 | | | | | 9.8 | 9 | 6.6 | 4.6 | | | |
| 60 | | | | | 9.3 | 8.7 | 6.6 | 4.6 | | | |
| 62 | | | | | 8.9 | 8.2 | 6.6 | 4.6 | | | |
| 64 | | | | | 8.5 | 7.8 | 6.6 | 4.6 | | | |
| 66 | | | | | | 7.4 | 6.6 | 4.6 | | | |
| 68 | | | | | | 7 | 6.3 | 4.6 | | | |
| 70 | | | | | | 6.7 | 6 | 4.6 | | | |
| 72 | | | | | | | 5.6 | 4.6 | | | |
| 74 | | | | | | | 5.3 | 4.5 | | | |
| 76 | | | | | | | 5 | 4.3 | | | |
| 78 | | | | | | | 4.7 | 4.1 | | | |
| 80 | | | | | | | | 3.9 | | | |
| 82 | | | | | | | | 3.8 | | | |
| 84 | | | | | | | | 3.6 | | | |
| ブーム 伸長率 (%) | I | | | | 92 | | | | | | 92 |
| | II | | | | 46 | | | | | | 92 |
| | III | | | | 46 | | | | | | 46 |
| | IV | | | | 0 | | | | | | 46 |

*アダプター

TAB 122383.1/2

メインブーム66° 35.7m-56.4m、ジブ21m-70m、全方向360°、カウンターウエイト112.5t、アウトリガー全張出8.5m

| メインブーム長さ ジブ長さ 作業半径 (m) | 46.1m+4m* | | | | | 56.4m+4m* | | | | | |
|------------------------------|-----------|-----|-----|-----|-----|-----------|-----|-----|-----|-----|-----|
| | 42m | 49m | 56m | 63m | 70m | 21m | 28m | 35m | 42m | 49m | 56m |
| 40 | | | | | | 9.6 | | | | | |
| 42 | | | | | | 9.6 | | | | | |
| 44 | | | | | | 9.6 | 7.4 | | | | |
| 46 | 8.4 | | | | | | 7.3 | | | | |
| 48 | 8.4 | | | | | | 7.3 | 5.4 | | | |
| 50 | 8.4 | | | | | | 7.2 | 5.4 | | | |
| 52 | 8.4 | 6.2 | | | | | | 5.4 | 3.9 | | |
| 54 | 8.4 | 6.2 | | | | | | 5.4 | 3.9 | | |
| 56 | 8.4 | 6.2 | 4.2 | | | | | 5.4 | 3.9 | | |
| 58 | 8.4 | 6.2 | 4.2 | | | | | 5.4 | 3.9 | 2.8 | |
| 60 | 8.3 | 6.2 | 4.2 | 2.8 | | | | | 3.9 | 2.8 | |
| 62 | | 6.2 | 4.2 | 2.8 | | | | | 3.9 | 2.8 | 1.7 |
| 64 | | 6.2 | 4.2 | 2.8 | 1.6 | | | | 3.9 | 2.8 | 1.7 |
| 66 | | 6.2 | 4.2 | 2.8 | 1.6 | | | | | 2.8 | 1.7 |
| 68 | | 6.1 | 4.2 | 2.8 | 1.6 | | | | | 2.8 | 1.7 |
| 70 | | | 4.2 | 2.8 | 1.6 | | | | | 2.8 | 1.7 |
| 72 | | | 4.2 | 2.8 | 1.6 | | | | | 2.8 | 1.7 |
| 74 | | | 4.2 | 2.8 | 1.6 | | | | | | 1.7 |
| 76 | | | | 2.8 | 1.6 | | | | | | 1.7 |
| 78 | | | | 2.8 | 1.6 | | | | | | 1.7 |
| 80 | | | | 2.8 | 1.6 | | | | | | |
| 82 | | | | 2.8 | 1.6 | | | | | | |
| 84 | | | | | 1.6 | | | | | | |
| 86 | | | | | 1.6 | | | | | | |
| 88 | | | | | 1.6 | | | | | | |
| ブーム 伸長率 (%) | I | | | | 92 | | | | | | 92 |
| | II | | | | 92 | | | | | | 92 |
| | III | | | | 46 | | | | | | 92 |
| | IV | | | | 46 | | | | | | 92 |

*アダプター

TAB 122383.2

注意

- 1 定格総荷重はフックブロック、玉掛ワイヤー等の自重を含みます。また、下記の条件が考慮されていませんのでクレーンの操作には充分気をつけてください。
①地盤の強度、地震による影響
②作業速度に応じた動荷重および台風または強風による影響等
- 2 本機は水平に設置して、クレーン作業を行ってください。
- 3 作業半径は、クレーンの旋回中心から荷重の重心までの水平距離です。
- 4 メインブームの定格総荷重は補助ジブを取り除いた状態での値です。

■起伏式ジブ定格総荷重表（ガイ仕様）オプション設定

メインブーム74° 35.7m-56.4m、ジブ21m-70m、全方向360°、カウンターウエイト112.5t、アウトリガー全張出8.5m

| メインブーム長さ ジブ長さ 作業半径 (m) | 35.7m+4m* | | | | | | | | 46.1m+4m* | | | |
|------------------------------|-----------|------|------|------|------|-----|-----|-----|-----------|------|------|--|
| | 21m | 28m | 35m | 42m | 49m | 56m | 63m | 70m | 21m | 28m | 35m | |
| 22 | 32 | | | | | | | | | | | |
| 24 | 32 | | | | | | | | | | | |
| 26 | 31.5 | 25.3 | | | | | | | 19 | | | |
| 28 | 31.5 | 25.1 | 20.5 | | | | | | 18.9 | 15.1 | | |
| 30 | 29.7 | 25 | 20.3 | | | | | | 18.9 | 15 | | |
| 32 | | 24.9 | 20.2 | 16.2 | | | | | 18.9 | 14.8 | 11.4 | |
| 34 | | 24.8 | 20.1 | 16.2 | | | | | | 14.8 | 11.4 | |
| 36 | | 23.6 | 20 | 16.2 | 12.2 | | | | | 14.7 | 11.4 | |
| 38 | | | 19.9 | 16.2 | 12.2 | 9.3 | | | | 14.7 | 11.4 | |
| 40 | | | 19.9 | 16.2 | 12.2 | 9.3 | | | | 14.7 | 11.4 | |
| 42 | | | 19.3 | 16.1 | 12.2 | 9.3 | 6.7 | | | | 11.4 | |
| 44 | | | 18.2 | 16.1 | 12.2 | 9.3 | 6.7 | 4.6 | | | 11.4 | |
| 46 | | | | 15.9 | 12.2 | 9.3 | 6.7 | 4.6 | | | 11.4 | |
| 48 | | | | 15.6 | 12.2 | 9.3 | 6.7 | 4.6 | | | | |
| 50 | | | | 15 | 12.2 | 9.3 | 6.7 | 4.6 | | | | |
| 52 | | | | | 12.2 | 9.3 | 6.7 | 4.6 | | | | |
| 54 | | | | | 12.2 | 9.3 | 6.7 | 4.6 | | | | |
| 56 | | | | | 12.2 | 9.3 | 6.7 | 4.6 | | | | |
| 58 | | | | | 11.9 | 9.3 | 6.7 | 4.6 | | | | |
| 60 | | | | | | 9.3 | 6.7 | 4.6 | | | | |
| 62 | | | | | | 9.3 | 6.7 | 4.6 | | | | |
| 64 | | | | | | 9.3 | 6.7 | 4.6 | | | | |
| 66 | | | | | | | 6.7 | 4.6 | | | | |
| 68 | | | | | | | 6.7 | 4.6 | | | | |
| 70 | | | | | | | 6.7 | 4.6 | | | | |
| 72 | | | | | | | 6.7 | 4.6 | | | | |
| 74 | | | | | | | | 4.6 | | | | |
| 76 | | | | | | | | 4.6 | | | | |
| 78 | | | | | | | | 4.6 | | | | |
| ブーム 伸長率 (%) | I | | | | | | | | | 92 | | |
| | II | | | | | | | | | 92 | | |
| | III | | | | | | | | | 46 | | |
| | IV | | | | | | | | | 46 | | |

*アダプター

TAB 122382.1/2

メインブーム74° 35.7m-56.4m、ジブ21m-70m、全方向360°、カウンターウエイト112.5t、アウトリガー全張出8.5m

| メインブーム長さ ジブ長さ 作業半径 (m) | 46.1m+4m* | | | | | 56.4m+4m* | | | | | | |
|------------------------------|-----------|-----|-----|-----|-----|-----------|-----|-----|-----|-----|-----|--|
| | 42m | 49m | 56m | 63m | 70m | 21m | 28m | 35m | 42m | 49m | 56m | |
| 30 | | | | | | 10.6 | | | | | | |
| 32 | | | | | | 10.5 | 8.1 | | | | | |
| 34 | | | | | | 10.4 | 8 | | | | | |
| 36 | 8.6 | | | | | 10.4 | 8 | 5.9 | | | | |
| 38 | 8.6 | | | | | | 7.9 | 5.9 | | | | |
| 40 | 8.6 | 6.3 | | | | | 7.9 | 5.9 | 4.2 | | | |
| 42 | 8.6 | 6.3 | 4.2 | | | | 7.9 | 5.8 | 4.2 | | | |
| 44 | 8.6 | 6.3 | 4.2 | | | | | 5.8 | 4.2 | 2.9 | | |
| 46 | 8.6 | 6.3 | 4.2 | 2.8 | | | | 5.8 | 4.2 | 2.9 | | |
| 48 | 8.6 | 6.3 | 4.2 | 2.8 | | | | 5.8 | 4.2 | 2.9 | 1.8 | |
| 50 | 8.6 | 6.3 | 4.2 | 2.8 | 1.6 | | | 5.8 | 4.1 | 2.9 | 1.8 | |
| 52 | 8.6 | 6.3 | 4.2 | 2.8 | 1.6 | | | | 4.1 | 2.9 | 1.8 | |
| 54 | 8.6 | 6.3 | 4.2 | 2.8 | 1.6 | | | | 4.1 | 2.9 | 1.8 | |
| 56 | | 6.3 | 4.2 | 2.8 | 1.6 | | | | 4.1 | 2.9 | 1.8 | |
| 58 | | 6.3 | 4.2 | 2.8 | 1.6 | | | | | 2.9 | 1.8 | |
| 60 | | 6.3 | 4.2 | 2.8 | 1.6 | | | | | 2.9 | 1.8 | |
| 62 | | | 4.2 | 2.8 | 1.6 | | | | | 2.9 | 1.8 | |
| 64 | | | 4.2 | 2.8 | 1.6 | | | | | 2.9 | 1.8 | |
| 66 | | | 4.2 | 2.8 | 1.6 | | | | | | 1.8 | |
| 68 | | | 4.2 | 2.8 | 1.6 | | | | | | 1.8 | |
| 70 | | | | 2.8 | 1.6 | | | | | | 1.8 | |
| 72 | | | | 2.8 | 1.6 | | | | | | | |
| 74 | | | | 2.8 | 1.6 | | | | | | | |
| 76 | | | | | 1.6 | | | | | | | |
| 78 | | | | | 1.6 | | | | | | | |
| 80 | | | | | 1.6 | | | | | | | |
| 82 | | | | | 1.6 | | | | | | | |
| ブーム 伸長率 (%) | I | 92 | | | | | 92 | | | | | |
| | II | 92 | | | | | 92 | | | | | |
| | III | 46 | | | | | 92 | | | | | |
| | IV | 46 | | | | | 92 | | | | | |

*アダプター

TAB 122382.2

注意

- 1 定格総荷重はフックブロック、玉掛ワイヤー等の自重を含みます。また、下記の条件が考慮されていないのでクレーンの操作には充分気をつけてください。
①地盤の強度、地震による影響
②作業速度に応じた動荷重および台風または強風による影響等
- 2 本機は水平に設置して、クレーン作業を行ってください。
- 3 作業半径は、クレーンの旋回中心から荷重の重心までの水平距離です。
- 4 メインブームの定格総荷重は補助ジブを取り除いた状態での値です。

■起伏式ジブ定格総荷重表

メインブーム66° 15m-56.4m、ジブ17.5m-70m、全方向360°、カウンターウエイト112.5t、アウトリガー全張出8.5m

| メインブーム長さ ジブ長さ 作業半径 (m) | 15m+4m* | | | | | | | | | 25.4m+4m* | | | | | | | | | |
|------------------------------|---------|------|------|------|------|------|------|------|-----|-----------|------|------|------|------|------|------|------|-----|-----|
| | 17.5m | 21m | 28m | 35m | 42m | 49m | 56m | 63m | 70m | 17.5m | 21m | 28m | 35m | 42m | 49m | 56m | 63m | 70m | |
| 18 | 51 | | | | | | | | | | | | | | | | | | |
| 20 | 48 | 46.5 | | | | | | | | | | | | | | | | | |
| 22 | 44.5 | 43 | | | | | | | | | | | | | | | | | |
| 24 | 41 | 40.5 | 38 | | | | | | | 37.5 | | | | | | | | | |
| 26 | | 37.5 | 36 | | | | | | | 34.5 | 34 | | | | | | | | |
| 28 | | | 34.5 | 31.5 | | | | | | 31.5 | 31.5 | | | | | | | | |
| 30 | | | 32 | 29.8 | | | | | | | 29.1 | 28.5 | | | | | | | |
| 32 | | | 29.7 | 28.6 | 25.9 | | | | | | | 26.5 | | | | | | | |
| 34 | | | 27.8 | 27.3 | 24.9 | | | | | | | 24.8 | 24.2 | | | | | | |
| 36 | | | | 25.6 | 24 | 20.8 | | | | | | 23.2 | 22.7 | | | | | | |
| 38 | | | | 24.1 | 23.3 | 20.4 | | | | | | 21.8 | 21.3 | 20.7 | | | | | |
| 40 | | | | 22.7 | 22.3 | 20 | 16.7 | | | | | | 20 | 19.4 | | | | | |
| 42 | | | | | 21 | 19.4 | 16.3 | | | | | | 18.9 | 18.3 | 17.5 | | | | |
| 44 | | | | | 19.9 | 18.9 | 16.1 | 12.5 | | | | | 17.9 | 17.3 | 16.9 | | | | |
| 46 | | | | | 18.8 | 18.4 | 15.9 | 12.3 | | | | | | 16.4 | 16 | 13 | | | |
| 48 | | | | | 17.7 | 17.4 | 15.7 | 12.3 | 8.2 | | | | | 15.5 | 15.1 | 13 | | | |
| 50 | | | | | | 16.5 | 15.4 | 12.2 | 8.1 | | | | | 14.7 | 14.3 | 13 | 10 | | |
| 52 | | | | | | 15.7 | 15.2 | 12.2 | 8 | | | | | 14 | 13.6 | 12.9 | 10 | | |
| 54 | | | | | | 15 | 14.5 | 12.2 | 8 | | | | | | 12.9 | 12.2 | 10 | 6.9 | |
| 56 | | | | | | | 13.8 | 12.2 | 7.9 | | | | | | | 12.3 | 11.6 | 10 | 6.9 |
| 58 | | | | | | | 13.1 | 12.2 | 7.9 | | | | | | 11.7 | 11 | 10 | 6.9 | |
| 60 | | | | | | | 12.5 | 12 | 7.8 | | | | | | | 10.5 | 10 | 6.8 | |
| 62 | | | | | | | 11.7 | 11.5 | 7.7 | | | | | | | | 10 | 9.6 | 6.8 |
| 64 | | | | | | | | 10.9 | 7.4 | | | | | | | | 9.5 | 9.1 | 6.8 |
| 66 | | | | | | | | 10.5 | 7.1 | | | | | | | | 9.1 | 8.6 | 6.8 |
| 68 | | | | | | | | 10 | 6.7 | | | | | | | | | 8.2 | 6.8 |
| 70 | | | | | | | | | 6.4 | | | | | | | | | 7.8 | 6.7 |
| 72 | | | | | | | | | 6.2 | | | | | | | | | 7.5 | 6.5 |
| 74 | | | | | | | | | 6 | | | | | | | | | | 6.2 |
| 76 | | | | | | | | | 5.8 | | | | | | | | | | 6 |
| 78 | | | | | | | | | | | | | | | | | | | 5.8 |
| 80 | | | | | | | | | | | | | | | | | | | 5.5 |
| ブーム 伸長率 (%) | I | | | | 0 | | | | | | | | | | | 46 | | | |
| | II | | | | 0 | | | | | | | | | | | 46 | | | |
| | III | | | | 0 | | | | | | | | | | | 0 | | | |
| | IV | | | | 0 | | | | | | | | | | | 0 | | | |

*アダプター

TAB 122356.1/2

メインブーム66° 15m-56.4m、ジブ17.5m-70m、全方向360°、カウンターウエイト112.5t、アウトリガー全張出8.5m

| メインブーム長さ ジブ長さ 作業半径 (m) | 35.7m+4m* | | | | | | | | | 46.1m+4m* | | | | | | | 56.4m+4m* | | | | | |
|------------------------------|-----------|------|------|------|------|------|-----|-----|------|-----------|------|-----|-----|-----|-----|-----|-----------|-----|-----|-----|-----|-----|
| | 17.5m | 21m | 28m | 35m | 42m | 49m | 56m | 63m | 70m | 17.5m | 21m | 28m | 35m | 42m | 49m | 56m | 63m | 70m | 21m | 28m | 35m | 42m |
| 28 | 26 | | | | | | | | | | | | | | | | | | | | | |
| 30 | 24.4 | 24 | | | | | | | | | | | | | | | | | | | | |
| 32 | 23.1 | 22.6 | | | | | | | | | | | | | | | | | | | | |
| 34 | | 21.4 | 20.3 | | | | | | 14.9 | | | | | | | | | | | | | |
| 36 | | 20.5 | 19.2 | | | | | | 14 | 13.7 | | | | | | | | | | | | |
| 38 | | | 18.3 | 17.3 | | | | | | 12.9 | | | | | | | | | | | | |
| 40 | | | 17.5 | 16.4 | | | | | | 12.2 | 11.3 | | | | | | | | | | | |
| 42 | | | 16.9 | 15.6 | 14.7 | | | | | 10.7 | | | | | | | | | 6.9 | | | |
| 44 | | | | 15 | 14 | | | | | 10.2 | 9.4 | | | | | | | 6.5 | | | | |
| 46 | | | | 14.4 | 13.4 | 11.8 | | | | 9.7 | 8.8 | | | | | | | | 5.2 | | | |
| 48 | | | | 13.9 | 12.9 | 11.8 | | | | | 8.4 | 7.7 | | | | | | | 4.9 | | | |
| 50 | | | | 13.2 | 12.4 | 11.4 | 9 | | | | 8 | 7.3 | | | | | | | 4.6 | 3.7 | | |
| 52 | | | | | 11.9 | 10.9 | 9 | | | | 7.6 | 6.9 | 6.1 | | | | | | | 3.5 | | |
| 54 | | | | | 11.3 | 10.5 | 9 | 6.6 | | | 7.5 | 6.5 | 5.7 | | | | | | | 3.3 | 2.8 | |
| 56 | | | | | 10.7 | 10.1 | 9 | 6.6 | | | | 6.2 | 5.4 | 4.4 | | | | | | 3.2 | 2.6 | |
| 58 | | | | | | 9.6 | 8.8 | 6.6 | 4.7 | | | 5.9 | 5.1 | 4.2 | | | | | | 3.1 | 2.4 | |
| 60 | | | | | | | 9.1 | 8.5 | 6.6 | 4.7 | | | 5.8 | 4.8 | 4 | 3 | | | | | 2.3 | |
| 62 | | | | | | | 8.7 | 8.1 | 6.6 | 4.7 | | | | 4.6 | 3.7 | 3 | | | | | 2.2 | |
| 64 | | | | | | | 8.3 | 7.6 | 6.6 | 4.7 | | | | 4.3 | 3.5 | 3 | | | | | 2.1 | |
| 66 | | | | | | | | 7.2 | 6.6 | 4.7 | | | | 4.2 | 3.4 | 2.8 | 1.7 | | | | | |
| 68 | | | | | | | | 6.8 | 6.2 | 4.7 | | | | 4.1 | 3.2 | 2.7 | 1.7 | | | | | |
| 70 | | | | | | | | 6.5 | 5.8 | 4.7 | | | | | 3.1 | 2.5 | 1.7 | | | | | |
| 72 | | | | | | | | | 5.5 | 4.6 | | | | | 3 | 2.4 | 1.7 | | | | | |
| 74 | | | | | | | | | 5.1 | 4.4 | | | | | 3 | 2.3 | 1.7 | | | | | |
| 76 | | | | | | | | | 4.8 | 4.2 | | | | | | 2.1 | 1.6 | | | | | |
| 78 | | | | | | | | | 4.6 | 4 | | | | | | 2.1 | 1.5 | | | | | |
| 80 | | | | | | | | | | 3.8 | | | | | | 2 | 1.4 | | | | | |
| 82 | | | | | | | | | | 3.7 | | | | | | 2 | 1.3 | | | | | |
| 84 | | | | | | | | | | 3.5 | | | | | | | 1.2 | | | | | |
| 86 | | | | | | | | | | | | | | | | | 1.1 | | | | | |
| 88 | | | | | | | | | | | | | | | | | 1.1 | | | | | |
| ブーム 伸長率 (%) | I | | | | 92 | | | | | | | | | | | 92 | | | | | | 92 |
| | II | | | | 46 | | | | | | | | | | | 92 | | | | | | 92 |
| | III | | | | 46 | | | | | | | | | | | 46 | | | | | | 92 |
| | IV | | | | 0 | | | | | | | | | | | 46 | | | | | | 92 |

*アダプター

TAB 122356.3/4

- 注意**
- 1 定格総荷重はフックブロック、玉掛ワイヤー等の自重を含みます。また、下記の条件が考慮されていないのでクレーンの操作には充分気をつけてください。
①地盤の強度、地震による影響
②作業速度に応じた動荷重および台風または強風による影響等
 - 2 本機は水平に設置して、クレーン作業を行ってください。
 - 3 作業半径は、クレーンの旋回中心から荷重の重心までの水平距離です。
 - 4 メインブームの定格総荷重は補助ジブを取り除いた状態での値です。

■起伏式ジブ定格総荷重表

メインブーム74° 15m-56.4m、ジブ17.5m-70m、全方向360°、カウンターウエイト112.5t、アウトリガー全張出8.5m

| メインブーム長さ ジブ長さ 作業半径 (m) | 15m+4m* | | | | | | | | | 25.4m+4m* | | | | | | | | | 35.7m+4m* | | | |
|------------------------------|---------|-----|------|------|------|------|------|------|------|-----------|------|------|------|------|------|------|-----|-----|-----------|------|------|------|
| | 17.5m | 21m | 28m | 35m | 42m | 49m | 56m | 63m | 70m | 17.5m | 21m | 28m | 35m | 42m | 49m | 56m | 63m | 70m | 17.5m | 21m | 28m | 35m |
| 14 | 61 | | | | | | | | | | | | | | | | | | | | | |
| 16 | 56 | 54 | | | | | | | | | | | | | | | | | | | | |
| 18 | 53 | 50 | 46 | | | | | | 53 | 48.5 | | | | | | | | | | | | |
| 20 | 51 | 47 | 43 | | | | | | 48 | 48 | | | | | | | | | | | | |
| 22 | | 45 | 41 | 36.5 | | | | | 43.5 | 43.5 | 38.5 | | | | | | | | 33.5 | 32.5 | | |
| 24 | | 42 | 39 | 34.5 | 29.5 | | | | 40 | 40 | 38 | | | | | | | | 31.5 | 30.5 | | |
| 26 | | | 37.5 | 33 | 28.6 | | | | | 36.5 | 36 | 30.5 | | | | | | | 29.7 | 28.8 | 26.4 | |
| 28 | | | 34.5 | 32 | 27.8 | 23.1 | | | | 33.5 | 33 | 29.8 | 23.5 | | | | | | 27.2 | 25.2 | 21.1 | |
| 30 | | | 31.5 | 30.5 | 27.1 | 22.6 | 18.4 | | | | 30.5 | 29.6 | 23.5 | | | | | | 26.1 | 24.1 | 21.1 | |
| 32 | | | 24.1 | 29.2 | 26.3 | 22.1 | 18.4 | | | | 28.6 | 28.1 | 23.5 | 18 | | | | | | | 23 | 20.9 |
| 34 | | | | 26.9 | 25.4 | 21.6 | 18 | 13.6 | | | 26.7 | 26.3 | 23.4 | 18 | 13.5 | | | | | | 22 | 20.2 |
| 36 | | | | 25.2 | 24.8 | 21.2 | 17.6 | 13.5 | | | | 24.6 | 23.2 | 18 | 13.5 | | | | | | 21.2 | 19.4 |
| 38 | | | | 21.1 | 23.3 | 20.9 | 17.3 | 13.3 | 9.2 | | | 23.1 | 22.5 | 18 | 13.5 | 10.4 | | | | | | 18.7 |
| 40 | | | | | 21.4 | 20.5 | 17 | 13.1 | 8.9 | | | 21.8 | 21.2 | 18 | 13.5 | 10.4 | 7.5 | | | | | 18 |
| 42 | | | | | 20.2 | 19.9 | 16.8 | 12.9 | 8.7 | | | | 20 | 18 | 13.5 | 10.4 | 7.5 | | | | | 17.4 |
| 44 | | | | | 18 | 18.6 | 16.6 | 12.7 | 8.5 | | | | 18.9 | 17.5 | 13.5 | 10.4 | 7.4 | | | | | 17 |
| 46 | | | | | 14.5 | 17.3 | 16.2 | 12.5 | 8.4 | | | | 17.9 | 17.1 | 13.5 | 10.4 | 7.3 | | | | | |
| 48 | | | | | | 16.1 | 15.8 | 12.4 | 8.3 | | | | 17 | 16.6 | 13.5 | 10.4 | 7.2 | | | | | |
| 50 | | | | | | 15.4 | 15.3 | 12.3 | 8.2 | | | | | 15.8 | 13.5 | 10.4 | 7.1 | | | | | |
| 52 | | | | | | 13 | 14.4 | 12.2 | 8 | | | | | 15 | 13.3 | 10.4 | 7.1 | | | | | |
| 54 | | | | | | | 13.6 | 12.1 | 7.9 | | | | | 14.3 | 13.2 | 10.4 | 7 | | | | | |
| 56 | | | | | | | 13 | 12 | 7.8 | | | | | | 13 | 10.4 | 6.9 | | | | | |
| 58 | | | | | | | 11.2 | 11.9 | 7.7 | | | | | | 12.3 | 10.4 | 6.9 | | | | | |
| 60 | | | | | | | 9.2 | 11.6 | 7.6 | | | | | | 11.8 | 10.4 | 6.8 | | | | | |
| 62 | | | | | | | | 11 | 7.3 | | | | | | 11 | 10.4 | 6.8 | | | | | |
| 64 | | | | | | | | | 9.6 | 7 | | | | | | 10.4 | 6.7 | | | | | |
| 66 | | | | | | | | | 8.1 | 6.6 | | | | | | | 9.9 | 6.6 | | | | |
| 68 | | | | | | | | | | 6.3 | | | | | | | 9.4 | 6.5 | | | | |
| 70 | | | | | | | | | | 6.1 | | | | | | | | 6.2 | | | | |
| 72 | | | | | | | | | | 6 | | | | | | | | 6.1 | | | | |
| 74 | | | | | | | | | | | | | | | | | | 6 | | | | |
| 76 | | | | | | | | | | | | | | | | | | 5.8 | | | | |
| ブーム 伸長率 (%) | I | | | | 0 | | | | | | | | | | | 46 | | | | | 92 | |
| | II | | | | 0 | | | | | | | | | | | 46 | | | | | 46 | |
| | III | | | | 0 | | | | | | | | | | | 0 | | | | | 46 | |
| | IV | | | | 0 | | | | | | | | | | | 0 | | | | | 0 | |

*アダプター

TAB 122355.1/2/3

メインブーム74° 15m-56.4m、ジブ17.5m-70m、全方向360°、カウンターウエイト112.5t、アウトリガー全張出8.5m

| メインブーム長さ ジブ長さ 作業半径 (m) | 35.7m+4m* | | | | | 46.1m+4m* | | | | | | | 56.4m+4m* | | | | | | | | | |
|------------------------------|-----------|------|-----|-----|-----|-----------|------|------|------|-----|-----|-----|-----------|-----|-------|------|-----|-----|-----|-----|-----|-----|
| | 42m | 49m | 56m | 63m | 70m | 17.5m | 21m | 28m | 35m | 42m | 49m | 56m | 63m | 70m | 17.5m | 21m | 28m | 35m | 42m | 49m | 56m | |
| 26 | | | | | | 21.1 | | | | | | | | | | | | | | | | |
| 28 | | | | | | 19.9 | 19.2 | | | | | | | | | | | | | | | |
| 30 | | | | | | 18.9 | 18.2 | 16.1 | | | | | | | 12.1 | | | | | | | |
| 32 | 16.3 | | | | | | 17.3 | 15.8 | | | | | | | 11.4 | 10.5 | | | | | | |
| 34 | 16.3 | | | | | | | 15.1 | 12.1 | | | | | | | 10 | 8.6 | | | | | |
| 36 | 16.3 | 12.3 | | | | | | 14.5 | 12.1 | 9 | | | | | | 9.5 | 8.2 | | | | | |
| 38 | 16.3 | 12.3 | 9.4 | | | | | 13.9 | 12.1 | 9 | | | | | | | 7.9 | 6.5 | | | | |
| 40 | 16.3 | 12.3 | 9.4 | | | | | 13.4 | 12 | 9 | 6.5 | | | | | | 7.6 | 6.3 | | | | |
| 42 | 15.8 | 12.3 | 9.4 | 6.8 | | | | | 11.5 | 9 | 6.5 | 4.4 | | | | | 7.2 | 6 | 4.8 | | | |
| 44 | 15.3 | 12.3 | 9.4 | 6.8 | 4.7 | | | | 11.1 | 9 | 6.5 | 4.4 | | | | | | 5.7 | 4.6 | 3.3 | | |
| 46 | 14.8 | 12.3 | 9.4 | 6.8 | 4.7 | | | | 10.7 | 9 | 6.5 | 4.4 | 3 | | | | | 5.4 | 4.4 | 3.3 | | |
| 48 | 14.4 | 12.3 | 9.4 | 6.8 | 4.7 | | | | | 9 | 6.5 | 4.4 | 3 | | | | | 5.2 | 4.2 | 3.3 | 1.9 | |
| 50 | 14.1 | 12.3 | 9.4 | 6.8 | 4.7 | | | | | 8.9 | 6.5 | 4.4 | 3 | 1.7 | | | | 5 | 4 | 3.2 | 1.9 | |
| 52 | | 12.2 | 9.4 | 6.8 | 4.7 | | | | | 8.6 | 6.5 | 4.4 | 3 | 1.7 | | | | | | 3.8 | 3.1 | 1.9 |
| 54 | | 11.9 | 9.4 | 6.8 | 4.7 | | | | | 8.5 | 6.5 | 4.4 | 3 | 1.7 | | | | | | 3.7 | 2.9 | 1.9 |
| 56 | | 11.7 | 9.4 | 6.8 | 4.7 | | | | | | 6.5 | 4.4 | 3 | 1.7 | | | | | | 3.6 | 2.8 | 1.9 |
| 58 | | 11.5 | 9.4 | 6.8 | 4.7 | | | | | | 6.5 | 4.4 | 3 | 1.7 | | | | | | | 2.7 | 1.9 |
| 60 | | | 9.4 | 6.8 | 4.7 | | | | | | 6.5 | 4.4 | 3 | 1.7 | | | | | | | 2.6 | 1.8 |
| 62 | | | 9.4 | 6.8 | 4.7 | | | | | | 4.4 | 3 | 1.7 | | | | | | | | 2.5 | 1.8 |
| 64 | | | 9.4 | 6.8 | 4.7 | | | | | | 4.4 | 3 | 1.7 | | | | | | | | 2.4 | 1.7 |
| 66 | | | | 6.8 | 4.7 | | | | | | 4.4 | 3 | 1.7 | | | | | | | | | 1.6 |
| 68 | | | | 6.8 | 4.7 | | | | | | 4.4 | 3 | 1.7 | | | | | | | | | 1.5 |
| 70 | | | | 6.8 | 4.7 | | | | | | 3 | 1.7 | | | | | | | | | | 1.4 |
| 72 | | | | 6.8 | 4.7 | | | | | | 3 | 1.7 | | | | | | | | | | |
| 74 | | | | | 4.7 | | | | | | 3 | 1.7 | | | | | | | | | | |
| 76 | | | | | 4.7 | | | | | | | 1.7 | | | | | | | | | | |
| 78 | | | | | 4.7 | | | | | | | | 1.7 | | | | | | | | | |
| 80 | | | | | | | | | | | | | | 1.7 | | | | | | | | |
| 82 | | | | | | | | | | | | | | | 1.7 | | | | | | | |
| ブーム 伸長率 (%) | I | | | | 92 | | | | | | | | | | | | | | | | 92 | |
| | II | | | | 46 | | | | | | | | | | | | | | | | 92 | |
| | III | | | | 46 | | | | | | | | | | | | | | | | 92 | |
| | IV | | | | 0 | | | | | | | | | | | | | | | | 92 | |

*アダプター

TAB 122355.3/4/5

注意

- 1 定格総荷重はフックブロック、玉掛ワイヤー等の自重を含みます。また、下記の条件が考慮されていませんのでクレーンの操作には充分気をつけてください。
 - ①地盤の強度、地震による影響
 - ②作業速度に応じた動荷重および台風または強風による影響等
- 2 本機は水平に設置して、クレーン作業を行ってください。
- 3 作業半径は、クレーンの旋回中心から荷重の重心までの水平距離です。
- 4 メインブームの定格総荷重は補助ジブを取り除いた状態での値です。

■起伏式ジブ定格総荷重表 (ガイ仕様) オプション設定

メインブーム82° 35.7m-56.4m、ジブ21m-70m、全方向360°、カウンターウエイト112.5t、アウトリガー全張出8.5m

| メインブーム長さ ジブ長さ 作業半径(m) | 35.7m+4m* | | | | | | | | 46.1m+4m* | | | |
|-----------------------------|-----------|------|------|------|------|-----|-----|-----|-----------|------|------|--|
| | 21m | 28m | 35m | 42m | 49m | 56m | 63m | 70m | 21m | 28m | 35m | |
| 14 | 34 | | | | | | | | | | | |
| 16 | 34 | 27.1 | | | | | | | 20.5 | | | |
| 18 | 33.5 | 26.8 | 21.6 | | | | | | 20.4 | 15.6 | | |
| 20 | 33 | 26.5 | 21.6 | 16.8 | | | | | 20.2 | 15.6 | 11.6 | |
| 22 | 33 | 26.3 | 21.5 | 16.8 | 12.7 | | | | 20.1 | 15.6 | 11.6 | |
| 24 | 33 | 26.1 | 21.2 | 16.8 | 12.7 | | | | 20.1 | 15.6 | 11.6 | |
| 26 | | 25.9 | 21 | 16.8 | 12.7 | 9.9 | | | 20.1 | 15.6 | 11.6 | |
| 28 | | 25.7 | 20.9 | 16.8 | 12.7 | 9.9 | 7.2 | | | 15.6 | 11.6 | |
| 30 | | 25.7 | 20.6 | 16.8 | 12.7 | 9.9 | 7.2 | 5.1 | | 15.6 | 11.6 | |
| 32 | | | 20.2 | 16.6 | 12.7 | 9.9 | 7.2 | 5.1 | | 15.5 | 11.6 | |
| 34 | | | 20 | 16.3 | 12.7 | 9.9 | 7.2 | 5.1 | | | 11.6 | |
| 36 | | | 19.8 | 16 | 12.7 | 9.9 | 7.2 | 5.1 | | | 11.6 | |
| 38 | | | 19.5 | 15.7 | 12.7 | 9.9 | 7.2 | 5.1 | | | 11.6 | |
| 40 | | | | 15.4 | 12.4 | 9.9 | 7.2 | 5.1 | | | | |
| 42 | | | | 15.1 | 12.1 | 9.8 | 7.2 | 5.1 | | | | |
| 44 | | | | 14.5 | 11.9 | 9.6 | 7.2 | 5.1 | | | | |
| 46 | | | | | 11.7 | 9.4 | 7.2 | 5.1 | | | | |
| 48 | | | | | 11.4 | 9.2 | 7.2 | 5.1 | | | | |
| 50 | | | | | 11.2 | 9 | 7.2 | 5.1 | | | | |
| 52 | | | | | 11 | 8.8 | 7 | 5.1 | | | | |
| 54 | | | | | | 8.6 | 6.9 | 5.1 | | | | |
| 56 | | | | | | 8.4 | 6.9 | 5.1 | | | | |
| 58 | | | | | | 8.1 | 6.9 | 5.1 | | | | |
| 60 | | | | | | | 6.9 | 5.1 | | | | |
| 62 | | | | | | | 6.9 | 5.1 | | | | |
| 64 | | | | | | | 6.9 | 5.1 | | | | |
| 66 | | | | | | | | 5.1 | | | | |
| 68 | | | | | | | | 5.1 | | | | |
| 70 | | | | | | | | 5.1 | | | | |
| 72 | | | | | | | | 5.1 | | | | |
| ブーム 伸長率 (%) | I | 92 | | | | | | | | 92 | | |
| | II | 46 | | | | | | | | 92 | | |
| | III | 46 | | | | | | | | 46 | | |
| | IV | 0 | | | | | | | | 46 | | |

*アダプター

TAB 122381.1/2

メインブーム82° 35.7m-56.4m、ジブ21m-70m、全方向360°、カウンターウエイト112.5t、アウトリガー全張出8.5m

| メインブーム長さ ジブ長さ 作業半径(m) | 46.1m+4m* | | | | | 56.4m+4m* | | | | | | |
|-----------------------------|-----------|-----|-----|-----|-----|-----------|-----|-----|-----|-----|-----|--|
| | 42m | 49m | 56m | 63m | 70m | 21m | 28m | 35m | 42m | 49m | 56m | |
| 18 | | | | | | 11.6 | | | | | | |
| 20 | | | | | | 11.5 | 8.9 | | | | | |
| 22 | 8.8 | | | | | 11.5 | 8.8 | 6.5 | | | | |
| 24 | 8.8 | 6.5 | | | | 11.4 | 8.7 | 6.5 | 4.6 | | | |
| 26 | 8.8 | 6.5 | | | | 11.4 | 8.6 | 6.5 | 4.6 | | | |
| 28 | 8.8 | 6.5 | 4.5 | | | 11.4 | 8.5 | 6.5 | 4.6 | 3.1 | | |
| 30 | 8.8 | 6.5 | 4.5 | 3 | | | 8.5 | 6.4 | 4.6 | 3.1 | 1.9 | |
| 32 | 8.8 | 6.5 | 4.5 | 3 | 1.8 | | 8.4 | 6.4 | 4.6 | 3.1 | 1.9 | |
| 34 | 8.8 | 6.5 | 4.5 | 3 | 1.8 | | 8.4 | 6.3 | 4.6 | 3.1 | 1.9 | |
| 36 | 8.8 | 6.5 | 4.5 | 3 | 1.8 | | | 6.3 | 4.6 | 3.1 | 1.9 | |
| 38 | 8.8 | 6.5 | 4.5 | 3 | 1.8 | | | 6.2 | 4.6 | 3.1 | 1.9 | |
| 40 | 8.8 | 6.5 | 4.5 | 3 | 1.8 | | | 6.2 | 4.6 | 3.1 | 1.9 | |
| 42 | 8.8 | 6.5 | 4.5 | 3 | 1.8 | | | | 4.6 | 3.1 | 1.9 | |
| 44 | 8.8 | 6.5 | 4.5 | 3 | 1.8 | | | | 4.5 | 3.1 | 1.9 | |
| 46 | 8.8 | 6.5 | 4.5 | 3 | 1.8 | | | | 4.5 | 3.1 | 1.9 | |
| 48 | | 6.5 | 4.5 | 3 | 1.8 | | | | 4.5 | 3.1 | 1.9 | |
| 50 | | 6.5 | 4.5 | 3 | 1.8 | | | | | 3.1 | 1.9 | |
| 52 | | 6.5 | 4.5 | 3 | 1.8 | | | | | 3.1 | 1.9 | |
| 54 | | | 4.5 | 3 | 1.8 | | | | | 3.1 | 1.9 | |
| 56 | | | 4.5 | 3 | 1.8 | | | | | | 1.9 | |
| 58 | | | 4.5 | 3 | 1.8 | | | | | | 1.9 | |
| 60 | | | 4.5 | 3 | 1.8 | | | | | | 1.9 | |
| 62 | | | | 3 | 1.8 | | | | | | 1.9 | |
| 64 | | | | 3 | 1.8 | | | | | | | |
| 66 | | | | 3 | 1.8 | | | | | | | |
| 68 | | | | | 1.8 | | | | | | | |
| 70 | | | | | 1.8 | | | | | | | |
| 72 | | | | | 1.8 | | | | | | | |
| ブーム 伸長率 (%) | I | 92 | | | | | 92 | | | | | |
| | II | 92 | | | | | 92 | | | | | |
| | III | 46 | | | | | 92 | | | | | |
| | IV | 46 | | | | | 92 | | | | | |

*アダプター

TAB 122381.2

注意

- 1 定格総荷重はフックブロック、玉掛ワイヤー等の自重を含みます。また、下記の条件が考慮されていないのでクレーンの操作には充分気をつけてください。
①地盤の強度、地震による影響
②作業速度に応じた動荷重および台風または強風による影響等
- 2 本機は水平に設置して、クレーン作業を行ってください。
- 3 作業半径は、クレーンの旋回中心から荷重の重心までの水平距離です。
- 4 メインブームの定格総荷重は補助ジブを取り除いた状態での値です。