



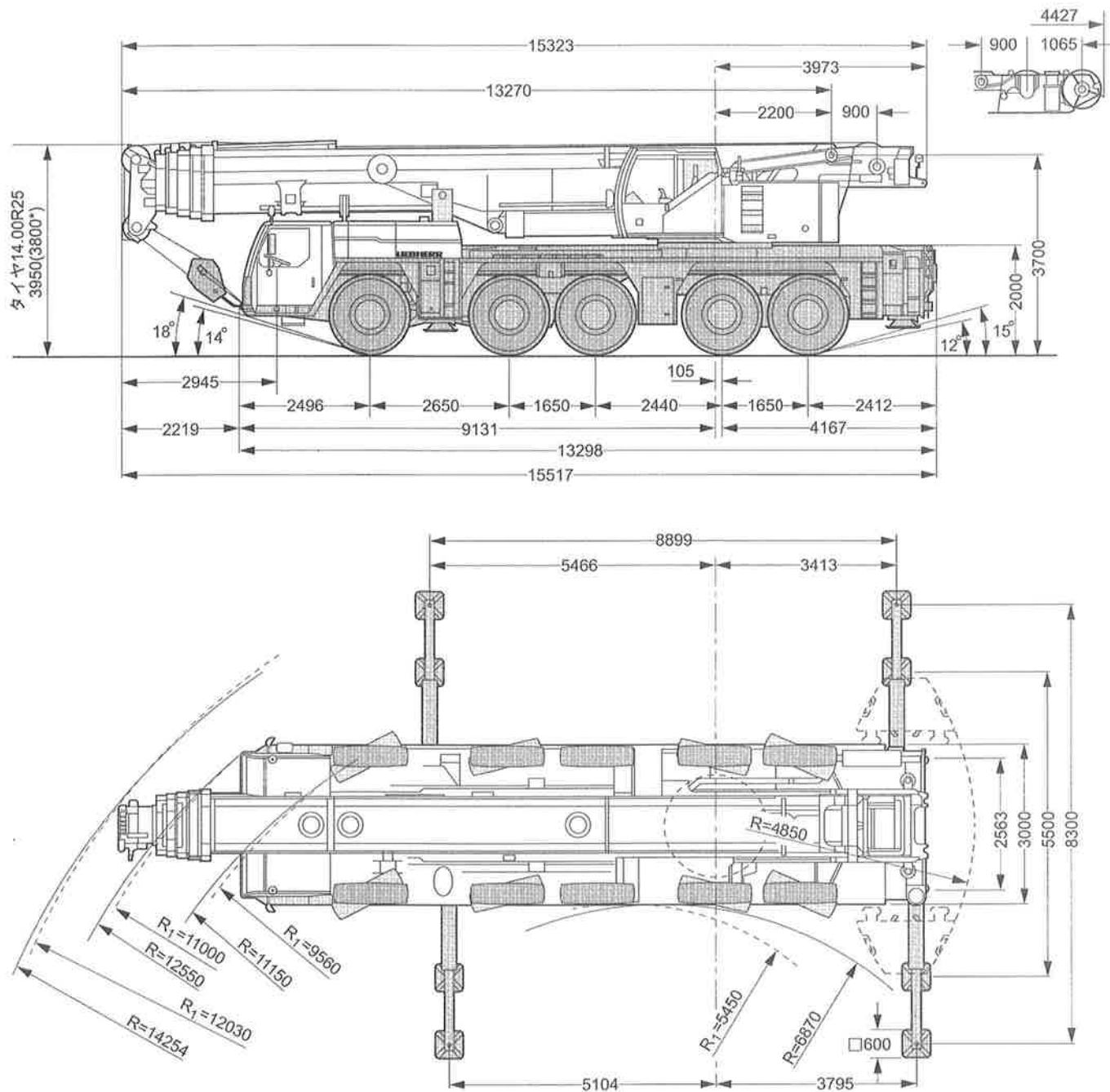
LIEBHERR ALL-TERRAIN-CRANE

LTM 1220NX-2 メインブーム定格総荷重表

No.1

外観寸法

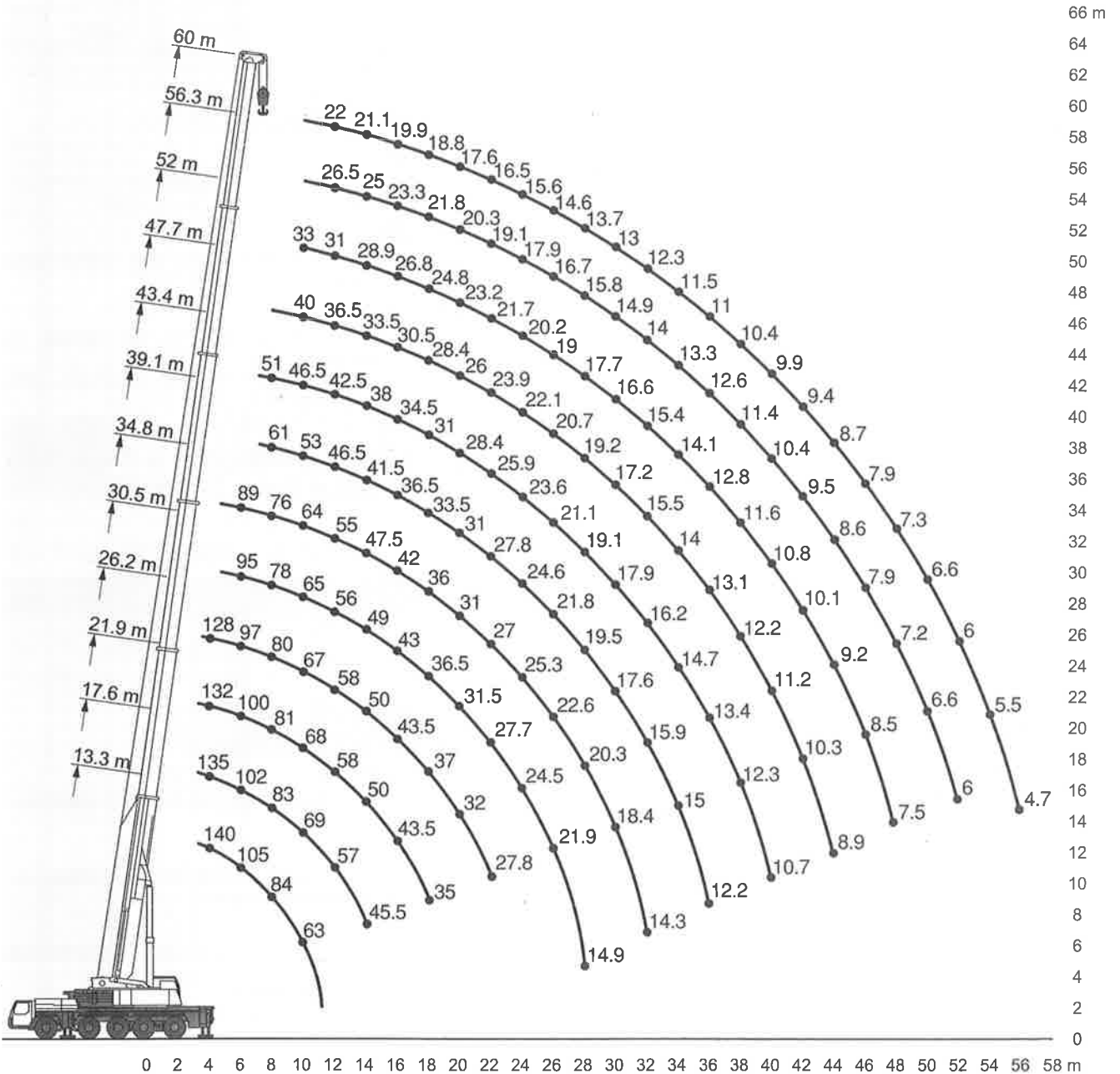
単位：mm



*サスペンションを150mm下げた状態
R1 = 全輪ステアリング時

メインブーム定格総荷重表

LTM 1220NX-2



注意

- 1 定格総荷重はフックブロック、玉掛ワイヤー等の自重を含みます。また、下記の条件が考慮されていませんのでクレーンの操作には充分気をつけてください。
 - ① 地盤の強度、地震による影響
 - ② 作業速度に応じた動荷重および台風または強風による影響等
- 2 本機は水平に設置して、クレーン作業を行ってください。
- 3 作業半径は、クレーンの旋回中心から荷重の重心までの水平距離です。
- 4 メインブームの定格総荷重は油圧チルトジブを取り除いた状態の値です。
- 5 135/152トンを超える定格総荷重の場合は、追加ブーリーブロック/特殊吊装置が必要です。

メインブーム定格総荷重表

LTM 1220NX-2

メインブーム 13.3-60m 全方向 360° カウンターウェイト 74t

| 作業半径(m) | メインブーム長さ | 作業半径(m) | | | | | | | | | | | | |
|------------|----------|---------|-------|----------|----------|----------|----------|----------|----------|----------|----------|----------|------|------|
| | | *13.3m | 17.6m | 21.9m | 26.2m | 30.5m | 34.8m | 39.1m | 43.4m | 47.7m | 52m | 56.3m | 60m | |
| 3 | | 242 | 152 | 140 | 139 | | | | | | | | | |
| 3.5 | | 152 | 152 | 140 | 139 | 139 | | | | | | | | |
| 4 | | 140 | 140 | 135 | 132 | 128 | | | | | | | | |
| 4.5 | | 127 | 127 | 123 | 120 | 118 | 113 | | | | | | | |
| 5 | | 119 | 119 | 116 | 113 | 110 | 106 | | | | | | | |
| 6 | | 105 | 105 | 102 | 100 | 97 | 95 | 89 | | | | | | |
| 7 | | 94 | 94 | 92 | 89 | 87 | 86 | 83 | 64 | | | | | |
| 8 | | 84 | 84 | 83 | 81 | 80 | 78 | 76 | 61 | 51 | | | | |
| 9 | | 74 | 74 | 76 | 74 | 73 | 71 | 69 | 57 | 49 | 41 | | | |
| 10 | | 63 | 63 | 69 | 68 | 67 | 65 | 64 | 53 | 46.5 | 40 | 33 | | |
| 11 | | 45.5 | 45.5 | 63 | 63 | 62 | 61 | 59 | 50 | 44.5 | 38 | 32 | 27.1 | |
| 12 | | | | 57 | 58 | 58 | 56 | 55 | 46.5 | 42.5 | 36.5 | 31 | 26.5 | 22 |
| 14 | | | | 45.5 | 50 | 50 | 49 | 47.5 | 41.5 | 38 | 33.5 | 28.9 | 25 | 21.1 |
| 16 | | | | | 43.5 | 43.5 | 43 | 42 | 36.5 | 34.5 | 30.5 | 26.8 | 23.3 | 19.9 |
| 18 | | | | | 35 | 37 | 36.5 | 36 | 33.5 | 31 | 28.4 | 24.8 | 21.8 | 18.8 |
| 20 | | | | | | 32 | 31.5 | 31 | 31 | 28.4 | 26 | 23.2 | 20.3 | 17.6 |
| 22 | | | | | | 27.8 | 27 | 27 | 27.8 | 25.9 | 23.9 | 21.7 | 19.1 | 16.5 |
| 24 | | | | | | 15.7 | 24.5 | 25.3 | 24.6 | 23.6 | 22.1 | 20.2 | 17.9 | 15.6 |
| 26 | | | | | | | 21.9 | 22.6 | 21.8 | 21.1 | 20.7 | 19 | 16.7 | 14.6 |
| 28 | | | | | | | 14.9 | 20.3 | 19.5 | 19.1 | 19.2 | 17.7 | 15.8 | 13.7 |
| 30 | | | | | | | | 18.4 | 17.6 | 17.9 | 17.2 | 16.6 | 14.9 | 13 |
| 32 | | | | | | | | 14.3 | 15.9 | 16.2 | 15.5 | 15.4 | 14 | 12.3 |
| 34 | | | | | | | | | 15 | 14.7 | 14 | 14.1 | 13.3 | 11.5 |
| 36 | | | | | | | | | 12.2 | 13.4 | 13.1 | 12.8 | 12.6 | 11 |
| 38 | | | | | | | | | | 12.3 | 12.2 | 11.6 | 11.4 | 10.4 |
| 40 | | | | | | | | | | 10.7 | 11.2 | 10.8 | 10.4 | 9.9 |
| 42 | | | | | | | | | | | 10.3 | 10.1 | 9.5 | 9.4 |
| 44 | | | | | | | | | | | 8.9 | 9.2 | 8.6 | 8.7 |
| 46 | | | | | | | | | | | | 8.5 | 7.9 | 7.9 |
| 48 | | | | | | | | | | | | 7.5 | 7.2 | 7.3 |
| 50 | | | | | | | | | | | | | 6.6 | 6.6 |
| 52 | | | | | | | | | | | | | 6 | 6 |
| 54 | | | | | | | | | | | | | | 5.5 |
| 56 | | | | | | | | | | | | | | 4.7 |
| ブーム伸長率 (%) | I | 0 | | 0/ 0/ 0 | 0/ 0/ 0 | 46/ 0/ 0 | 46/ 0/ 0 | 46/ 0/ 0 | 92/46/ 0 | 92/46/ 0 | 92/92/46 | 92/92/46 | 92 | 100 |
| | II | 0 | | 0/ 0/ 0 | 46/ 0/ 0 | 46/46/ 0 | 46/46/ 0 | 46/46/ 0 | 46/46/46 | 46/46/46 | 92/46/46 | 92/46/92 | 92 | 100 |
| | III | 0 | | 46/ 0/ 0 | 46/46/ 0 | 46/46/46 | 46/46/92 | 46/46/46 | 46/46/46 | 46/46/92 | 46/46/92 | 46/92/92 | 92 | 100 |
| | IV | 0 | | 0/46/ 0 | 0/46/46 | 0/46/46 | 46/46/46 | 46/46/92 | 46/46/92 | 46/92/92 | 46/92/92 | 92/92/92 | 92 | 100 |
| | V | 0 | | 0/ 0/46 | 0/ 0/46 | 0/ 0/46 | 0/46/46 | 46/92/92 | 46/92/92 | 92/92/92 | 92/92/92 | 92/92/92 | 92 | 100 |

*後方吊り

TAB 151259/151363

メインブーム 13.3-60m 全方向 360° カウンターウェイト 54t

| 作業半径(m) | メインブーム長さ | 作業半径(m) | | | | | | | | | | | | |
|------------|----------|---------|-------|----------|----------|----------|----------|----------|----------|----------|----------|----------|------|-----|
| | | 13.3m | 17.6m | 21.9m | 26.2m | 30.5m | 34.8m | 39.1m | 43.4m | 47.7m | 52m | 56.3m | 60m | |
| 3 | | 152 | 140 | 139 | | | | | | | | | | |
| 3.5 | | 152 | 140 | 139 | 139 | | | | | | | | | |
| 4 | | 140 | 135 | 132 | 128 | | | | | | | | | |
| 4.5 | | 127 | 123 | 120 | 118 | 113 | | | | | | | | |
| 5 | | 119 | 116 | 113 | 110 | 106 | | | | | | | | |
| 6 | | 105 | 102 | 100 | 97 | 95 | 89 | | | | | | | |
| 7 | | 94 | 92 | 89 | 87 | 86 | 83 | 64 | | | | | | |
| 8 | | 84 | 83 | 81 | 80 | 78 | 76 | 61 | 51 | | | | | |
| 9 | | 74 | 76 | 74 | 73 | 71 | 69 | 57 | 49 | 41 | | | | |
| 10 | | 63 | 68 | 68 | 67 | 64 | 60 | 53 | 46.5 | 40 | 33 | | | |
| 11 | | 45.5 | 60 | 61 | 60 | 57 | 53 | 50 | 44.5 | 38 | 32 | 27.1 | | |
| 12 | | | 54 | 54 | 53 | 51 | 48 | 45.5 | 42.5 | 36.5 | 31 | 26.5 | 22 | |
| 14 | | | 43 | 43.5 | 43.5 | 41.5 | 39.5 | 39.5 | 37.5 | 33.5 | 28.9 | 25 | 21.1 | |
| 16 | | | | 36.5 | 36.5 | 35 | 34.5 | 33 | 31.5 | 30.5 | 26.8 | 23.3 | 19.9 | |
| 18 | | | | 31 | 31 | 30 | 30 | 28.5 | 26.9 | 26.8 | 24.8 | 21.8 | 18.8 | |
| 20 | | | | | 26.5 | 26 | 26.4 | 24.8 | 24.7 | 23.3 | 22.7 | 20.3 | 17.6 | |
| 22 | | | | | 23.1 | 22.5 | 23.3 | 21.8 | 21.8 | 20.5 | 20.2 | 19.1 | 16.5 | |
| 24 | | | | | 15.7 | 20.1 | 20.5 | 20.3 | 19.3 | 18.8 | 17.9 | 17.3 | 15.6 | |
| 26 | | | | | | 17.8 | 18.2 | 18.4 | 17.3 | 16.9 | 16.4 | 15.4 | 14.6 | |
| 28 | | | | | | 14.9 | 16.2 | 16.5 | 15.5 | 15.2 | 14.7 | 13.7 | 13.7 | |
| 30 | | | | | | | 15.1 | 14.8 | 14.5 | 13.7 | 13.3 | 12.3 | 12.3 | |
| 32 | | | | | | | 13.9 | 13.3 | 13.3 | 12.7 | 12 | 11.1 | 11 | |
| 34 | | | | | | | | 12.1 | 12 | 11.6 | 10.9 | 10 | 9.9 | |
| 36 | | | | | | | | 11 | 10.8 | 10.4 | 9.9 | 9 | 9 | |
| 38 | | | | | | | | | 9.8 | 9.4 | 8.9 | 8.1 | 8.1 | |
| 40 | | | | | | | | | 9 | 8.5 | 8 | 7.3 | 7.3 | |
| 42 | | | | | | | | | | 7.7 | 7.2 | 6.6 | 6.6 | |
| 44 | | | | | | | | | | 7 | 6.5 | 5.8 | 5.9 | |
| 46 | | | | | | | | | | | 5.8 | 5.2 | 5.3 | |
| 48 | | | | | | | | | | | 5.3 | 4.6 | 4.7 | |
| 50 | | | | | | | | | | | | 4.1 | 4.1 | |
| 52 | | | | | | | | | | | | 3.6 | 3.6 | |
| 54 | | | | | | | | | | | | | 3.2 | |
| 56 | | | | | | | | | | | | | | 2.8 |
| ブーム伸長率 (%) | I | 0 | | 0/ 0/ 0 | 46/ 0/ 0 | 46/ 0/ 0 | 46/ 0/ 0 | 92/46/ 0 | 92/46/ 0 | 92/46/ 0 | 92/92/46 | 92 | 100 | |
| | II | 0 | | 0/ 0/ 0 | 46/46/ 0 | 46/46/ 0 | 46/46/ 0 | 46/46/46 | 46/46/46 | 92/46/92 | 92/46/92 | 92 | 100 | |
| | III | 0 | | 46/ 0/ 0 | 46/46/46 | 46/46/92 | 46/46/46 | 46/46/46 | 46/46/92 | 46/92/92 | 46/92/92 | 92 | 100 | |
| | IV | 0 | | 0/46/ 0 | 0/46/46 | 46/46/46 | 46/46/92 | 46/46/92 | 46/92/92 | 46/92/92 | 92/92/92 | 92 | 100 | |
| | V | 0 | | 0/ 0/46 | 0/ 0/46 | 0/ 0/46 | 0/46/46 | 46/92/92 | 46/92/92 | 92/92/92 | 92/92/92 | 92/92/92 | 92 | 100 |

TAB 151264

注意

- 1 定格総荷重はフックブロック、玉掛ワイヤー等の自重を含みます。また、下記の条件が考慮されていませんのでクレーンの操作には充分気をつけてください。
 - ① 地盤の強度、地震による影響
 - ② 作業速度に応じた動荷重および台風または強風による影響等

- 2 本機は水平に設置して、クレーン作業を行ってください。
- 3 作業半径は、クレーンの旋回中心から荷重の重心までの水平距離です。
- 4 メインブームの定格総荷重は油圧チャルトジブを取り除いた状態の値です。
- 5 135/152トンを超える定格総荷重の場合は、追加ブーリーブロック/特殊吊装置が必要です。

メインブーム定格総荷重表

LTM 1220NX-2

メインブーム 13.3-60m 全方向 360° カウンターウェイト 44t

| メインブーム 作業半径(m) 長さ | 13.3m | 17.6m | 21.9m | 26.2m | 30.5m | 34.8m | 39.1m | 43.4m | 47.7m | 52m | 56.3m | 60m | |
|-------------------------|-------|-------|--------|---------|----------|----------|----------|----------|----------|----------|----------|------|-----|
| 3 | 152 | 140 | 139 | | | | | | | | | | |
| 3.5 | 152 | 140 | 139 | 139 | | | | | | | | | |
| 4 | 140 | 135 | 132 | 128 | | | | | | | | | |
| 4.5 | 127 | 123 | 120 | 118 | 113 | | | | | | | | |
| 5 | 119 | 116 | 113 | 110 | 106 | | | | | | | | |
| 6 | 105 | 102 | 100 | 97 | 95 | 89 | | | | | | | |
| 7 | 94 | 92 | 89 | 87 | 86 | 83 | 64 | | | | | | |
| 8 | 83 | 83 | 81 | 80 | 75 | 70 | 61 | 51 | | | | | |
| 9 | 72 | 73 | 71 | 68 | 64 | 60 | 57 | 49 | 41 | | | | |
| 10 | 61 | 63 | 62 | 59 | 56 | 53 | 50 | 46.5 | 40 | 33 | | | |
| 11 | 45.5 | 55 | 55 | 52 | 49.5 | 46.5 | 45.5 | 43.5 | 38 | 32 | 27.1 | | |
| 12 | | 48.5 | 49 | 46.5 | 44.5 | 42 | 41.5 | 39.5 | 36.5 | 31 | 26.5 | 22 | |
| 14 | | 39 | 39.5 | 38 | 36 | 36.5 | 34 | 32.5 | 31.5 | 28.9 | 25 | 21.1 | |
| 16 | | | 32.5 | 32 | 30.5 | 30.5 | 28.7 | 28.5 | 26.9 | 26.1 | 23.3 | 19.9 | |
| 18 | | | 27.3 | 27.3 | 26.4 | 26.2 | 25.5 | 24.5 | 23.5 | 22.7 | 21.8 | 18.8 | |
| 20 | | | | 23.5 | 22.8 | 22.7 | 22.5 | 21.3 | 20.7 | 20.1 | 19 | 17.6 | |
| 22 | | | | 20.9 | 19.9 | 20 | 19.8 | 19.2 | 18.5 | 17.6 | 16.5 | 16.4 | |
| 24 | | | | 15.7 | 17.3 | 18.5 | 17.6 | 17.2 | 16.4 | 15.6 | 14.5 | 14.4 | |
| 26 | | | | | 15.5 | 16.3 | 15.7 | 15.3 | 14.6 | 13.8 | 12.8 | 12.8 | |
| 28 | | | | | 14.5 | 14.5 | 14.2 | 13.7 | 13 | 12.3 | 11.3 | 11.3 | |
| 30 | | | | | | 13 | 12.8 | 12.4 | 11.7 | 11 | 10.1 | 10.1 | |
| 32 | | | | | | 11.7 | 11.4 | 11.2 | 10.6 | 9.8 | 9 | 8.9 | |
| 34 | | | | | | | 10.2 | 10 | 9.5 | 8.8 | 8 | 8 | |
| 36 | | | | | | | 9.2 | 8.9 | 8.5 | 8 | 7.1 | 7.1 | |
| 38 | | | | | | | | 8 | 7.6 | 7.1 | 6.3 | 6.3 | |
| 40 | | | | | | | | 7.3 | 6.8 | 6.3 | 5.6 | 5.6 | |
| 42 | | | | | | | | | 6.1 | 5.6 | 4.9 | 5 | |
| 44 | | | | | | | | | 5.4 | 4.9 | 4.3 | 4.4 | |
| 46 | | | | | | | | | | 4.3 | 3.7 | 3.8 | |
| 48 | | | | | | | | | | 3.8 | 3.2 | 3.2 | |
| 50 | | | | | | | | | | | 2.7 | 2.7 | |
| 52 | | | | | | | | | | | 2.2 | 2.3 | |
| 54 | | | | | | | | | | | | 1.9 | |
| 56 | | | | | | | | | | | | 1.5 | |
| ブーム 伸長率 (%) | I | 0 | 0/0/0 | 0/0/0 | 46/0/0 | 46/0/0 | 46/0/0 | 92/46/0 | 92/46/0 | 92/92/0 | 92/92/46 | 92 | 100 |
| | II | 0 | 0/0/0 | 46/0/0 | 46/46/0 | 46/46/0 | 46/46/0 | 46/46/46 | 46/46/46 | 92/46/92 | 92/46/92 | 92 | 100 |
| | III | 0 | 46/0/0 | 46/46/0 | 46/46/46 | 46/46/46 | 46/46/46 | 46/46/46 | 46/46/92 | 46/46/92 | 46/92/92 | 92 | 100 |
| | IV | 0 | 0/46/0 | 0/46/46 | 0/46/46 | 46/46/46 | 46/46/92 | 46/46/92 | 46/92/92 | 46/92/92 | 92/92/92 | 92 | 100 |
| | V | 0 | 0/0/46 | 0/0/46 | 0/0/46 | 0/46/46 | 46/92/92 | 46/92/92 | 92/92/92 | 92/92/92 | 92/92/92 | 92 | 100 |

TAB 151265

メインブーム 13.3-60m 全方向 360° カウンターウェイト 34t

| メインブーム 作業半径(m) 長さ | 13.3m | 17.6m | 21.9m | 26.2m | 30.5m | 34.8m | 39.1m | 43.4m | 47.7m | 52m | 56.3m | 60m | |
|-------------------------|-------|-------|--------|---------|----------|----------|----------|----------|----------|----------|----------|------|-----|
| 3 | 152 | 140 | 139 | | | | | | | | | | |
| 3.5 | 152 | 140 | 139 | 139 | | | | | | | | | |
| 4 | 140 | 135 | 132 | 128 | | | | | | | | | |
| 4.5 | 127 | 123 | 120 | 118 | 113 | | | | | | | | |
| 5 | 119 | 116 | 113 | 110 | 106 | | | | | | | | |
| 6 | 105 | 102 | 100 | 97 | 95 | 87 | | | | | | | |
| 7 | 92 | 92 | 87 | 83 | 77 | 72 | 64 | | | | | | |
| 8 | 78 | 76 | 73 | 69 | 65 | 60 | 57 | 51 | | | | | |
| 9 | 65 | 65 | 62 | 59 | 55 | 52 | 51 | 48 | 41 | | | | |
| 10 | 55 | 56 | 54 | 51 | 48.5 | 46.5 | 44.5 | 42 | 40 | 33 | | | |
| 11 | 45.5 | 49 | 47 | 45 | 42.5 | 42.5 | 39.5 | 37.5 | 36 | 32 | 27.1 | | |
| 12 | | 43 | 42 | 40 | 38 | 38 | 35.5 | 34.5 | 33 | 31 | 26.5 | 22 | |
| 14 | | 34 | 34 | 32.5 | 31.5 | 31 | 30.5 | 28.8 | 27.8 | 26.5 | 25 | 21.1 | |
| 16 | | | 28.2 | 28.2 | 26.2 | 26.1 | 25.6 | 24.9 | 23.9 | 22.7 | 21.4 | 19.9 | |
| 18 | | | 23.4 | 24.2 | 22.2 | 23 | 21.9 | 21.3 | 20.4 | 19.4 | 18.2 | 18 | |
| 20 | | | | 20.5 | 19.7 | 20 | 19.2 | 18.5 | 17.6 | 16.7 | 15.6 | 15.4 | |
| 22 | | | | 17.7 | 17.8 | 17.5 | 16.8 | 16.1 | 15.3 | 14.4 | 13.4 | 13.3 | |
| 24 | | | | 15.5 | 15.5 | 15.5 | 14.8 | 14.1 | 13.4 | 12.6 | 11.6 | 11.5 | |
| 26 | | | | | 13.6 | 13.6 | 13.1 | 12.5 | 11.8 | 11 | 10 | 10 | |
| 28 | | | | | 12 | 12 | 11.7 | 11.1 | 10.4 | 9.7 | 8.7 | 8.7 | |
| 30 | | | | | | 10.6 | 10.3 | 9.9 | 9.2 | 8.5 | 7.6 | 7.6 | |
| 32 | | | | | | | 9.4 | 9.1 | 8.8 | 8.2 | 7.5 | 6.6 | |
| 34 | | | | | | | | 8 | 7.8 | 7.3 | 6.6 | 5.7 | |
| 36 | | | | | | | | 7.2 | 6.9 | 6.4 | 5.8 | 5 | |
| 38 | | | | | | | | | 6.1 | 5.6 | 5.1 | 4.3 | |
| 40 | | | | | | | | | 5.4 | 4.9 | 4.4 | 3.7 | |
| 42 | | | | | | | | | | 4.3 | 3.8 | 3.1 | |
| 44 | | | | | | | | | | 3.7 | 3.2 | 2.6 | |
| 46 | | | | | | | | | | | 2.7 | 2.1 | |
| 48 | | | | | | | | | | | 2.3 | 1.6 | |
| 50 | | | | | | | | | | | | 1.2 | |
| ブーム 伸長率 (%) | I | 0 | 0/0/0 | 0/0/0 | 0/0/0 | 0/0/0 | 46/0/0 | 46/0/0 | 92/46/0 | 92/46/0 | 92/92/46 | 92 | 100 |
| | II | 0 | 0/0/0 | 46/0/0 | 46/0/0 | 46/0/0 | 46/46/0 | 46/46/0 | 46/46/46 | 92/46/92 | 92/46/92 | 92 | 100 |
| | III | 0 | 46/0/0 | 46/46/0 | 46/46/0 | 46/92/0 | 46/46/46 | 46/46/92 | 46/46/92 | 46/92/92 | 46/92/92 | 92 | 100 |
| | IV | 0 | 0/46/0 | 0/46/46 | 46/46/46 | 46/46/92 | 46/46/92 | 46/92/92 | 46/92/92 | 46/92/92 | 92/92/92 | 92 | 100 |
| | V | 0 | 0/0/46 | 0/0/46 | 0/46/92 | 46/46/92 | 46/92/92 | 92/92/92 | 92/92/92 | 92/92/92 | 92/92/92 | 92 | 100 |

TAB 151267

注意

1 定格総荷重はフックブロック、玉掛ワイヤー等の自重を含みます。

また、下記の条件が考慮されていませんのでクレーンの操作には充分気をつけてください。

- ① 地盤の強度、地震による影響
- ② 作業速度に応じた動荷重および台風または強風による影響等

2 本機は水平に設置して、クレーン作業を行ってください。

- 3 作業半径は、クレーンの旋回中心から荷重の重心までの水平距離です。
- 4 メインブームの定格総荷重は油圧チャルトジブを取り除いた状態の値です。
- 5 135/152 トンを超える定格総荷重の場合は、追加ブーリーブロック/特殊吊装置が必要です。

メインブーム定格総荷重表

LTM 1220NX-2

メインブーム 13.3-60m 全方向 360° カウンターウェイト 32t

| 作業半径(m) メインブーム 長さ | 13.3m | 17.6m | 21.9m | 26.2m | 30.5m | 34.8m | 39.1m | 43.4m | 47.7m | 52m | 56.3m | 60m | |
|-------------------------|-------|-------|----------|----------|----------|----------|----------|----------|----------|----------|----------|------|-----|
| 3 | 152 | 140 | 139 | | | | | | | | | | |
| 3.5 | 152 | 140 | 139 | 139 | | | | | | | | | |
| 4 | 140 | 135 | 132 | 128 | | | | | | | | | |
| 4.5 | 127 | 123 | 120 | 118 | 113 | | | | | | | | |
| 5 | 119 | 116 | 113 | 110 | 106 | | | | | | | | |
| 6 | 105 | 102 | 100 | 97 | 92 | 85 | | | | | | | |
| 7 | 91 | 90 | 84 | 80 | 75 | 69 | 64 | | | | | | |
| 8 | 76 | 74 | 71 | 67 | 63 | 58 | 55 | 51 | | | | | |
| 9 | 63 | 63 | 60 | 57 | 54 | 51 | 49.5 | 46.5 | 41 | | | | |
| 10 | 54 | 54 | 52 | 49.5 | 47 | 46 | 43.5 | 40.5 | 39 | 33 | | | |
| 11 | 45.5 | 47.5 | 45.5 | 43.5 | 41 | 41 | 38.5 | 36 | 35.5 | 32 | 27.1 | | |
| 12 | | 42 | 40.5 | 38.5 | 37.5 | 36.5 | 34.5 | 34 | 32 | 30.5 | 26.5 | 22 | |
| 14 | | 32.5 | 33 | 31.5 | 30.5 | 29.9 | 29.4 | 27.8 | 26.9 | 26 | 24.5 | 21.1 | |
| 16 | | | 27.3 | 27.4 | 25.2 | 26 | 24.7 | 24 | 23 | 21.9 | 20.6 | 19.9 | |
| 18 | | | 22.6 | 23.4 | 21.7 | 22.2 | 21.4 | 20.5 | 19.7 | 18.6 | 17.4 | 17.2 | |
| 20 | | | | 19.8 | 19.7 | 19.3 | 18.5 | 17.7 | 16.9 | 15.9 | 14.8 | 14.7 | |
| 22 | | | | 17.1 | 17.2 | 16.8 | 16.1 | 15.4 | 14.6 | 13.8 | 12.7 | 12.6 | |
| 24 | | | | 14.9 | 14.9 | 14.8 | 14.1 | 13.5 | 12.7 | 11.9 | 10.9 | 10.9 | |
| 26 | | | | | 13 | 13.1 | 12.5 | 11.9 | 11.2 | 10.4 | 9.5 | 9.4 | |
| 28 | | | | | 11.4 | 11.4 | 11.1 | 10.5 | 9.8 | 9.1 | 8.2 | 8.2 | |
| 30 | | | | | | 10.1 | 9.8 | 9.3 | 8.7 | 8 | 7.1 | 7.1 | |
| 32 | | | | | | | 8.6 | 8.3 | 7.7 | 7 | 6.1 | 6.2 | |
| 34 | | | | | | | 7.6 | 7.3 | 6.8 | 6.2 | 5.3 | 5.3 | |
| 36 | | | | | | | 6.7 | 6.4 | 6 | 5.4 | 4.6 | 4.6 | |
| 38 | | | | | | | | 5.7 | 5.2 | 4.7 | 3.9 | 3.9 | |
| 40 | | | | | | | | 5 | 4.5 | 4.1 | 3.3 | 3.3 | |
| 42 | | | | | | | | | 3.9 | 3.4 | 2.8 | 2.8 | |
| 44 | | | | | | | | | 3.4 | 2.9 | 2.2 | 2.3 | |
| 46 | | | | | | | | | | 2.4 | 1.7 | 1.8 | |
| 48 | | | | | | | | | | 2 | 1.3 | 1.4 | |
| ブーム 伸長率 (%) | I | 0 | 0/ 0/ 0 | 0/ 0/ 0 | 46/ 0/ 0 | 46/ 0/ 0 | 46/ 0/ 0 | 92/46/ 0 | 92/46/ 0 | 92/46/ 0 | 92/92/46 | 92 | 100 |
| | II | 0 | 0/ 0/ 0 | 46/ 0/ 0 | 46/46/ 0 | 46/46/ 0 | 46/46/ 0 | 46/46/ 0 | 46/46/46 | 92/46/92 | 92/46/92 | 92 | 100 |
| | III | 0 | 46/ 0/ 0 | 46/46/ 0 | 46/46/46 | 46/46/92 | 46/46/46 | 46/46/92 | 46/46/92 | 46/92/92 | 46/92/92 | 92 | 100 |
| | IV | 0 | 0/46/ 0 | 0/46/46 | 0/46/46 | 46/46/46 | 46/46/92 | 46/46/92 | 46/92/92 | 46/92/92 | 92/92/92 | 92 | 100 |
| | V | 0 | 0/ 0/46 | 0/ 0/46 | 0/ 0/46 | 0/46/46 | 46/92/92 | 46/92/92 | 92/92/92 | 92/92/92 | 92/92/92 | 92 | 100 |

TAB 151268

メインブーム 13.3-60m 全方向 360° カウンターウェイト 22t

| 作業半径(m) メインブーム 長さ | 13.3m | 17.6m | 21.9m | 26.2m | 30.5m | 34.8m | 39.1m | 43.4m | 47.7m | 52m | 56.3m | 60m | |
|-------------------------|-------|-------|----------|----------|----------|----------|----------|----------|----------|----------|----------|------|-----|
| 3 | 152 | 140 | 139 | | | | | | | | | | |
| 3.5 | 152 | 140 | 139 | 139 | | | | | | | | | |
| 4 | 140 | 135 | 132 | 128 | | | | | | | | | |
| 4.5 | 127 | 123 | 120 | 118 | 113 | | | | | | | | |
| 5 | 119 | 116 | 113 | 108 | 100 | | | | | | | | |
| 6 | 102 | 98 | 90 | 85 | 78 | 71 | | | | | | | |
| 7 | 82 | 76 | 73 | 68 | 63 | 59 | 57 | | | | | | |
| 8 | 66 | 63 | 60 | 56 | 53 | 52 | 48 | 44.5 | | | | | |
| 9 | 55 | 53 | 51 | 48 | 45.5 | 44.5 | 41.5 | 40 | 37.5 | | | | |
| 10 | 46 | 45 | 43.5 | 41.5 | 39.5 | 38.5 | 37.5 | 35.5 | 33.5 | 31.5 | | | |
| 11 | 39 | 39.5 | 38 | 38 | 35 | 34 | 33.5 | 31.5 | 30.5 | 28.9 | 27 | | |
| 12 | | 34.5 | 34 | 33.5 | 31 | 31.5 | 29.8 | 28.7 | 27.3 | 25.8 | 24.1 | 22 | |
| 14 | | 27 | 27.3 | 27.1 | 26.3 | 25.5 | 24.4 | 23.3 | 22.1 | 20.9 | 19.4 | 19.1 | |
| 16 | | | 22.4 | 22.3 | 21.7 | 21.1 | 20.2 | 19.3 | 18.3 | 17.2 | 15.9 | 15.8 | |
| 18 | | | 18.2 | 18.7 | 18.2 | 17.7 | 17 | 16.2 | 15.3 | 14.4 | 13.2 | 13.1 | |
| 20 | | | | 15.9 | 15.6 | 15.1 | 14.5 | 13.8 | 13 | 12.1 | 11.1 | 11 | |
| 22 | | | | 13.5 | 13.4 | 13.1 | 12.4 | 11.8 | 11.1 | 10.3 | 9.3 | 9.3 | |
| 24 | | | | 11.6 | 11.6 | 11.4 | 10.8 | 10.2 | 9.5 | 8.8 | 7.8 | 7.8 | |
| 26 | | | | | 9.9 | 10 | 9.4 | 8.8 | 8.2 | 7.5 | 6.6 | 6.6 | |
| 28 | | | | | 8.6 | | 8.6 | 8.2 | 7.7 | 7.1 | 6.4 | 6.4 | |
| 30 | | | | | | 7.5 | 7.2 | 6.7 | 6.1 | 5.4 | 4.6 | 4.6 | |
| 32 | | | | | | 6.5 | 6.2 | 5.9 | 5.3 | 4.6 | 3.8 | 3.8 | |
| 34 | | | | | | | 5.3 | 5.1 | 4.5 | 3.9 | 3.1 | 3.1 | |
| 36 | | | | | | | 4.6 | 4.3 | 3.9 | 3.3 | 2.4 | 2.5 | |
| 38 | | | | | | | | 3.7 | 3.2 | 2.7 | 1.9 | 1.9 | |
| 40 | | | | | | | | 3.1 | 2.6 | 2.2 | 1.4 | 1.4 | |
| 42 | | | | | | | | | 2.1 | 1.7 | | | |
| 44 | | | | | | | | | 1.7 | 1.2 | | | |
| ブーム 伸長率 (%) | I | 0 | 0/ 0/ 0 | 0/ 0/ 0 | 0/ 0/ 0 | 0/ 0/ 0 | 46/ 0/ 0 | 46/ 0/ 0 | 92/46/ 0 | 46/46/ 0 | 92/92/46 | 92 | 100 |
| | II | 0 | 0/ 0/ 0 | 46/ 0/ 0 | 46/ 0/ 0 | 46/ 0/ 0 | 46/46/ 0 | 46/46/ 0 | 46/46/46 | 92/46/92 | 92/46/92 | 92 | 100 |
| | III | 0 | 46/ 0/ 0 | 46/46/ 0 | 46/46/ 0 | 46/92/ 0 | 46/46/46 | 46/46/92 | 46/46/92 | 92/92/92 | 46/92/92 | 92 | 100 |
| | IV | 0 | 0/46/ 0 | 0/46/46 | 46/46/46 | 46/46/92 | 46/46/92 | 46/92/92 | 46/92/92 | 46/92/92 | 92/92/92 | 92 | 100 |
| | V | 0 | 0/ 0/46 | 0/ 0/46 | 0/46/92 | 46/46/92 | 46/92/92 | 92/92/92 | 92/92/92 | 46/92/92 | 92/92/92 | 92 | 100 |

TAB 151269

注意

1 定格総荷重はフックブロック、玉掛ワイヤー等の自重を含みます。

また、下記の条件が考慮されていませんのでクレーンの操作には充分気をつけてください。

- ① 地盤の強度、地震による影響
- ② 作業速度に応じた動荷重および台風または強風による影響等

2 本機は水平に設置して、クレーン作業を行ってください。

3 作業半径は、クレーンの旋回中心から荷重の重心までの水平距離です。

4 メインブームの定格総荷重は油圧チルトジブを取り除いた状態の値です。

5 135/152トンを超える定格総荷重の場合は、追加ブーリーブロック/特殊吊装置が必要です。

メインブーム定格総荷重表

LTM 1220NX-2

メインブーム 13.3-60m 全方向 360° カウンターウェイト 12t

| メインブーム 作業半径(m) 長さ | 13.3m | 17.6m | 21.9m | 26.2m | 30.5m | 34.8m | 39.1m | 43.4m | 47.7m | 52m | 56.3m | 60m | |
|-------------------------|-------|-------|----------|----------|----------|----------|-------|----------|-------|------|-------|------|-----|
| 3 | 151 | 135 | 135 | | | | | | | | | | |
| 3.5 | 138 | 135 | 135 | 126 | | | | | | | | | |
| 4 | 128 | 127 | 126 | 110 | | | | | | | | | |
| 4.5 | 117 | 117 | 109 | 95 | 87 | | | | | | | | |
| 5 | 107 | 103 | 92 | 84 | 76 | | | | | | | | |
| 6 | 83 | 76 | 71 | 65 | 59 | 55 | | | | | | | |
| 7 | 64 | 61 | 57 | 53 | 49 | 47 | 43 | | | | | | |
| 8 | 51 | 49.5 | 47 | 43.5 | 41 | 39.5 | 38 | 35 | | | | | |
| 9 | 40 | 41.5 | 39.5 | 38.5 | 35 | 35 | 32.5 | 30.5 | 28.8 | | | | |
| 10 | 32.5 | 35 | 34 | 33 | 31.5 | 30 | 28.4 | 26.7 | 25.1 | 23.4 | | | |
| 11 | 27.1 | 29.1 | 29.4 | 28.8 | 27.6 | 26.4 | 25 | 23.5 | 22.1 | 20.6 | 18.9 | | |
| 12 | | 24.6 | 25.7 | 25.3 | 24.4 | 23.4 | 22.1 | 20.9 | 19.6 | 18.2 | 16.7 | 16.3 | |
| 14 | | 18.2 | 19.3 | 20.1 | 19.4 | 18.7 | 17.7 | 16.7 | 15.7 | 14.6 | 13.2 | 13 | |
| 16 | | | 15 | 15.8 | 15.9 | 15.3 | 14.5 | 13.7 | 12.8 | 11.8 | 10.6 | 10.5 | |
| 18 | | | 12 | 12.7 | 12.9 | 12.7 | 12 | 11.3 | 10.5 | 9.6 | 8.5 | 8.5 | |
| 20 | | | | 10.5 | 10.6 | 10.7 | 10.1 | 9.4 | 8.7 | 7.9 | 6.9 | 6.8 | |
| 22 | | | | 8.7 | 8.8 | 8.9 | 8.5 | 7.9 | 7.2 | 6.5 | 5.5 | 5.5 | |
| 24 | | | | 7.3 | 7.4 | 7.4 | 7.2 | 6.6 | 6 | 5.3 | 4.4 | 4.4 | |
| 26 | | | | | 6.1 | 6.2 | 6 | 5.6 | 5 | 4.3 | 3.4 | 3.4 | |
| 28 | | | | | 5.2 | 5.2 | 5 | 4.7 | 4.1 | 3.4 | 2.6 | 2.6 | |
| 30 | | | | | | 4.4 | 4.1 | 3.9 | 3.3 | 2.7 | 1.9 | 1.9 | |
| 32 | | | | | | 3.7 | 3.4 | 3.1 | 2.7 | 2.1 | | | |
| 34 | | | | | | | 2.8 | 2.5 | 2.1 | | | | |
| 36 | | | | | | | 2.2 | 2 | 1.6 | | | | |
| 38 | | | | | | | | 1.5 | | | | | |
| 40 | | | | | | | | 1.1 | | | | | |
| ブーム 伸長率 (%) | I | 0 | 0/ 0/ 0 | 46/ 0/ 0 | 46/ 0/ 0 | 0/ 0/ 0 | 0/ 0 | 0/ 0/ 0 | 46/ 0 | 0 | 46 | 92 | 100 |
| | II | 0 | 46/ 0/ 0 | 46/ 0/ 0 | 46/ 0/ 0 | 46/ 0/ 0 | 46/ 0 | 46/46/ 0 | 46/46 | 92 | 92 | 92 | 100 |
| | III | 0 | 0/ 0/ 0 | 0/ 0/ 0 | 46/46/ 0 | 46/92/ 0 | 46/46 | 92/46/92 | 46/92 | 92 | 92 | 92 | 100 |
| | IV | 0 | 0/46/ 0 | 0/46/ 0 | 0/46/46 | 46/46/92 | 46/92 | 92/92/92 | 92/92 | 92 | 92 | 92 | 100 |
| | V | 0 | 0/ 0/46 | 0/46/92 | 0/46/92 | 46/46/92 | 92/92 | 46/92/92 | 92/92 | 92 | 92 | 92 | 100 |

TAB 151361

メインブーム 13.3-60m 全方向 360° カウンターウェイト 0t

| メインブーム 作業半径(m) 長さ | 13.3m | 17.6m | 21.9m | 26.2m | 30.5m | 34.8m | 39.1m | 43.4m | 47.7m | 52m | 56.3m | 60m | |
|-------------------------|-------|-------|----------|----------|----------|----------|----------|----------|----------|----------|----------|-----|-----|
| 3 | 150 | 135 | 135 | | | | | | | | | | |
| 3.5 | 137 | 135 | 123 | 105 | | | | | | | | | |
| 4 | 125 | 115 | 99 | 88 | | | | | | | | | |
| 4.5 | 107 | 93 | 83 | 73 | 65 | | | | | | | | |
| 5 | 86 | 78 | 70 | 63 | 57 | | | | | | | | |
| 6 | 61 | 57 | 53 | 50 | 44 | 42 | | | | | | | |
| 7 | 45.5 | 43 | 41 | 39 | 36 | 33.5 | 31 | | | | | | |
| 8 | 34.5 | 34 | 32.5 | 31.5 | 29.6 | 27.8 | 25.8 | 23.9 | | | | | |
| 9 | 27.4 | 27.4 | 26.8 | 26.1 | 24.8 | 23.4 | 21.8 | 20.3 | 18.7 | | | | |
| 10 | 21.4 | 22.6 | 22.4 | 22 | 21.1 | 20 | 18.7 | 17.4 | 16.1 | 14.7 | | | |
| 11 | 17.1 | 19 | 19 | 18.9 | 18.1 | 17.3 | 16.2 | 15 | 13.9 | 12.6 | 11.2 | | |
| 12 | | 15.9 | 16.3 | 16.4 | 15.8 | 15.1 | 14.1 | 13.1 | 12.1 | 10.9 | 9.6 | 9.4 | |
| 14 | | 11.3 | 12.4 | 12.6 | 12.2 | 11.7 | 10.9 | 10.1 | 9.2 | 8.3 | 7.1 | 7 | |
| 16 | | | 9.3 | 9.9 | 9.6 | 9.2 | 8.6 | 7.9 | 7.1 | 6.3 | 5.2 | 5.1 | |
| 18 | | | 6.9 | 7.8 | 7.6 | 7.3 | 6.8 | 6.2 | 5.5 | 4.7 | 3.7 | 3.7 | |
| 20 | | | | 6 | 6.1 | 5.9 | 5.3 | 4.8 | 4.2 | 3.4 | 2.5 | 2.5 | |
| 22 | | | | 4.7 | 4.8 | 4.7 | 4.2 | 3.7 | 3.1 | 2.4 | | | |
| 24 | | | | 3.7 | 3.7 | 3.7 | 3.3 | 2.8 | | | | | |
| 26 | | | | | 2.8 | 2.9 | 2.5 | | | | | | |
| 28 | | | | | 2.1 | 2.1 | | | | | | | |
| ブーム 伸長率 (%) | I | 0 | 0/ 0/ 0 | 46/ 0/ 0 | 0/ 0/ 0 | 0/ 0/ 0 | 0/ 0/ 0 | 0/ 0/ 0 | 92/46/ 0 | 46/46/ 0 | 92/92/46 | 92 | 100 |
| | II | 0 | 46/ 0/ 0 | 46/ 0/ 0 | 46/ 0/ 0 | 46/ 0/ 0 | 46/ 0/ 0 | 46/46/ 0 | 46/46/46 | 92/46/92 | 92/46/92 | 92 | 100 |
| | III | 0 | 0/ 0/ 0 | 0/ 0/ 0 | 46/46/ 0 | 46/92/ 0 | 46/92/46 | 92/46/92 | 46/46/92 | 92/92/92 | 46/92/92 | 92 | 100 |
| | IV | 0 | 0/46/ 0 | 0/46/ 0 | 46/46/46 | 46/46/92 | 46/92/92 | 92/92/92 | 46/92/92 | 92/92/92 | 92/92/92 | 92 | 100 |
| | V | 0 | 0/ 0/46 | 0/46/92 | 0/46/92 | 46/46/92 | 92/46/92 | 46/92/92 | 92/92/92 | 46/92/92 | 92/92/92 | 92 | 100 |

TAB 151362

注意

- 1 定格総荷重はフックブロック、玉掛ワイヤー等の自重を含みます。
また、下記の条件が考慮されていませんのでクレーンの操作には充分気をつけてください。
① 地盤の強度、地震による影響
② 作業速度に応じた動荷重および台風または強風による影響等
- 2 本機は水平に設置して、クレーン作業を行ってください。
- 3 作業半径は、クレーンの旋回中心から荷重の重心までの水平距離です。
- 4 メインブームの定格総荷重は油圧チルトジブを取り除いた状態の値です。
- 5 135/152トンを超える定格総荷重の場合は、追加ブーリーブロック/特殊吊装置が必要です。

クレーン部仕様

| | | |
|--------------------|--------|------------|
| 吊上荷重 | 荷重 | 242ton* |
| | 半径 | 3m |
| メインブーム | 最小長さ | 13.3m |
| | 最大長さ | 60m |
| 補助ジブ | 油圧チルト式 | 12.2~36m |
| メインブーム伸縮段数 | | 6段 |
| カウンターウエイト (最大) | | 74ton |
| 主巻ウインチ | ラインプルカ | 10.5ton |
| | 巻上速度 | 0-130m/min |
| 補巻ウインチ | ラインプルカ | 10.5ton |
| | 巻上速度 | 0-130m/min |
| 最大地上揚程 | メインブーム | 59m |
| | 補助ジブ | 102m |
| 旋回速度 | | 0-1.8rpm |
| 起伏速度 (82度まで) | | 約50秒 |
| ブーム伸長速度 (13.2~60m) | | 約360秒 |
| 主巻ロープ | ロープ径 | 23mm |
| | ロープ長さ | 280m |
| 補巻ロープ | ロープ径 | 23mm |
| | ロープ長さ | 280m |

*後方吊り

フック仕様

| | | | | |
|------------|------|------|-----|--------|
| 容量 (ton) | 143 | 71 | 31 | 10 |
| シーブ数 | 7 | 3 | 1 | ボールフック |
| フック重量 (kg) | 1500 | 1000 | 840 | 500 |

フックはオプション設定ですので左記の中からお選びください。

キャリア部仕様

| | |
|---------------|------------|
| 軸数 | 5 |
| 総輪数 | 10 |
| 定員 | 2名 |
| 最小回転半径 | 11.84/9.9m |
| 最高速度 | 75km/h |
| 登坂能力* (低速切替時) | 約31.7° |

*登坂時の路面状況により、能力も多少異なります。

エンジン仕様

| | |
|--------|---------------------|
| メーカー名 | リープヘル社製 |
| 形式 | D846A7 ディーゼル・エンジン |
| 冷却方式 | 水冷 |
| シリンダー数 | 6 |
| 出力 | 503HP/1500rpm |
| 最大トルク | 2355Nm/1200-1500rpm |
| 燃料タンク | 約490ℓ |

走行速度

| | | | | | | | | | | | | | | | | |
|----------|--|-----|-----|-----|------|-----|------|------|------|------|------|------|------|----------------|----------------|------|
| タイヤ | | 1 | 2 | 3 | 4 | 5 | 6 | 7 | 8 | 9 | 10 | 11 | 12 | R ₁ | R ₂ | |
| 14.00R25 | | 5.2 | 6.7 | 8.6 | 11.1 | 14 | 18.1 | 23.8 | 30.6 | 39.4 | 50.5 | 64.2 | 75 | 5.6 | 7.2 | 48% |
| | | 2.3 | 2.9 | 3.8 | 4.8 | 6.1 | 7.9 | 10.4 | 13.3 | 17.2 | 22 | 28 | 35.8 | 2.4 | 3.1 | >60% |

エンジン仕様

| | |
|--------|--------------------|
| メーカー名 | リープヘル社製 |
| 形式 | D934LA6 ディーゼル・エンジン |
| 冷却方式 | 水冷 |
| シリンダー数 | 4 |
| 出力 | 245HP/1800rpm |
| 最大トルク | 1140Nm/1500rpm |
| 燃料タンク | 約265ℓ |

特徴

コントロール

ジョイスティックタイプの操作レバー (自動復帰式のユニバーサルコントローラ) により電気式パイロットコントロールされます。

油圧駆動装置

ウインチ回路には油圧補償付流量調整弁を有し、また、自動出力調整装置付油圧ポンプにより駆動されます。

安全装置および指示計

LICCON (リーコン) 過負荷防止計が装備され、吊上げ総荷重、作業半径、ブーム長さ、揚程等がデジタルで表示されます。過巻防止装置、ドラム回転計、過巻出し防止装置、油圧安全弁、油圧システム保護用安全バルブが装備されています。キャビンが20度までチルトバックします。

*油圧チルトジブ使用時のメインブームエクステンション7mはオプション設定です。

特徴

トランスミッション

ZF製16段ギアボックス付ミッションで“AS-TRONIC”自動制御システムを採用しています。

車軸

悪路においては、デフロックすることが可能で第2軸も追加駆動することができます。(第2軸駆動はオプション)

サスペンション

全輪ハイドロニューマチックサスペンションであり、自動水平復帰機能 (ニボー) を有しています。

状況に応じて車高を上下に調整可能です。全輪油圧サスペンションをロックすることが可能です。

ステアリング

全ての軸が操舵されます。油圧源として1つは通常時、エンジンで駆動され、もう1つは非常用として駆動軸により駆動されます。

常用ブレーキ

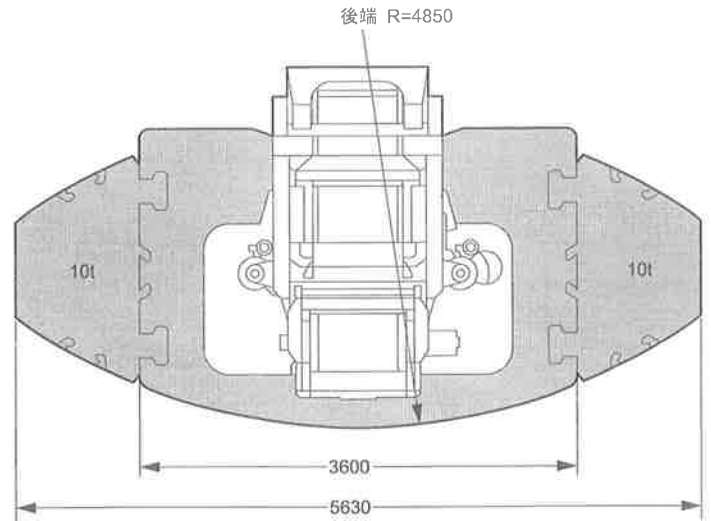
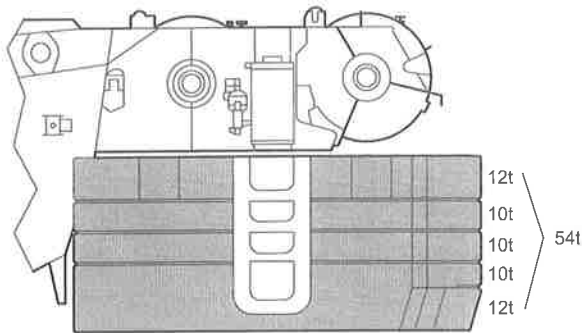
2回路式サーボブレーキが全軸に装備されています。また、エディカレント式電磁ブレーキ (オプション) を装備しています。

パーキング用ブレーキ

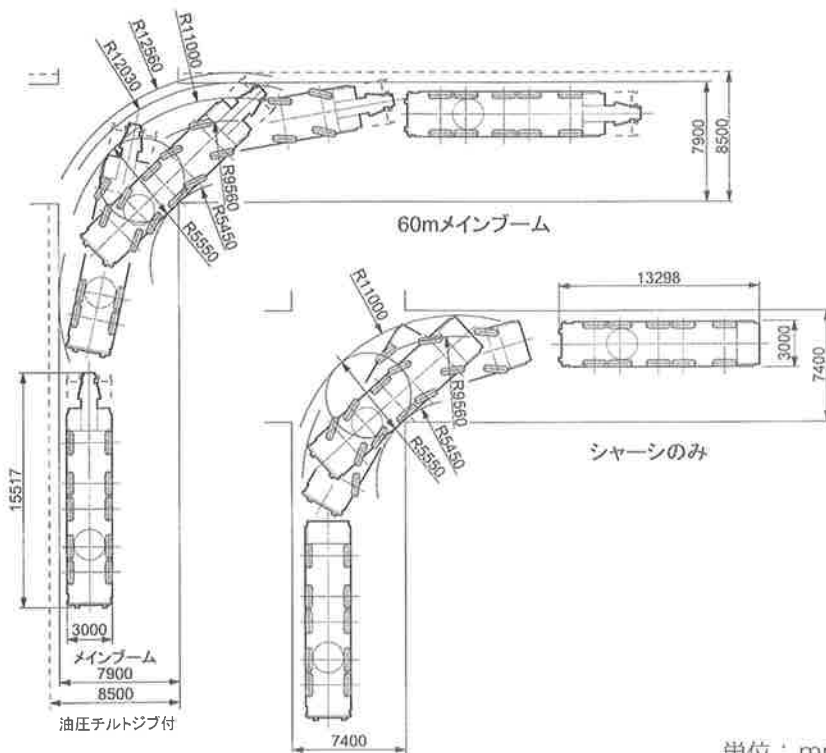
スプリング作動のブレーキが第2軸および5軸に作動します。

カウンターウエイト

単位：mm

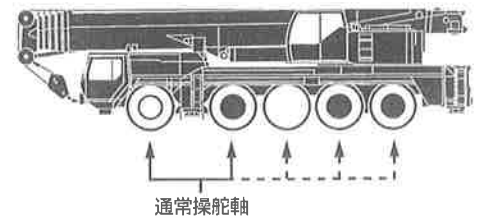


走行軌跡図 (リアステアリング操作時)



単位：mm

駆動部



※第3、4、5軸は、第1、2軸と独立して操舵可能。(リアステアリング操作)
 30km/h以下：1、2軸及び、3、4、5軸が電氣的に操舵。
 30km/h以上：3、4軸が直進に固定。
 60km/h以上：さらに5軸が直進に固定。
 ただし、状況により1、2、3軸が同方向、4、5軸が反対方向に操舵も可能。

- 駆動軸：常時駆動します。
- 駆動軸：ラフロード走行時に前輪駆動として使用します。(オプション設定)

本機は、公道を走行する場合、メインブームおよびカウンターウエイトをはずし、走行しなければなりません。